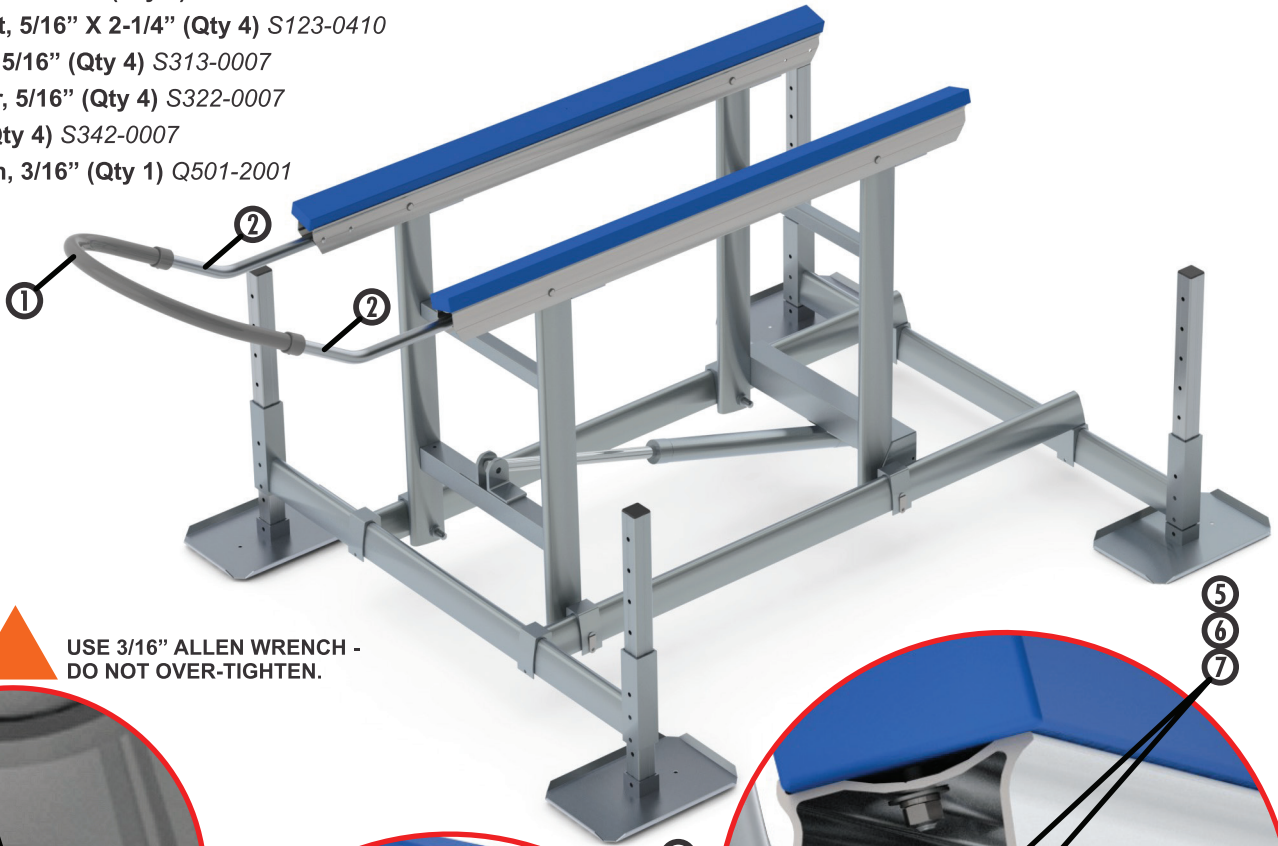



- ① Bow guide loop tube weldment (Qty 1) W301-0003
- ② Bow guide extension tube (Qty 2) K204-1091
- ③ Set screw, 3/8" X 1/2" (Qty 2) S160-6506
- ④ Carriage bolt, 5/16" X 2-1/4" (Qty 4) S123-0410
- ⑤ Flat washer, 5/16" (Qty 4) S313-0007
- ⑥ Lock washer, 5/16" (Qty 4) S322-0007
- ⑦ Nut, 5/16" (Qty 4) S342-0007
- ⑧ Allen wrench, 3/16" (Qty 1) Q501-2001



③  USE 3/16" ALLEN WRENCH - DO NOT OVER-TIGHTEN.

