

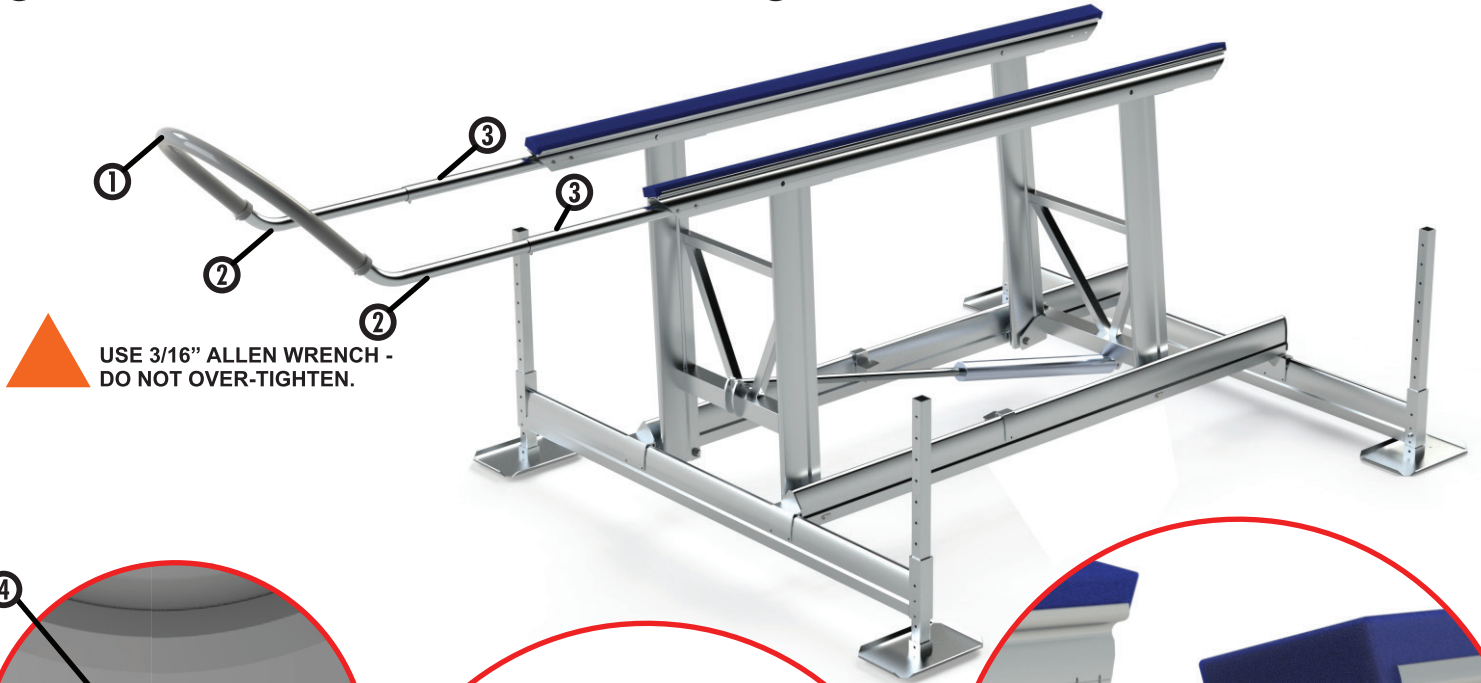



BOW GUIDE ASSEMBLY [A482-0010]

FOR MODELS 6.7k60 & 7.8k62

- ① Bow guide loop tube (Qty 1) W301-0001
- ② Bow guide inner tube (Qty2) K204-1068
- ③ Bow guide outer tube (Qty2) W108-0060
- ④ Set screw, 3/8" X 1/2" (Qty 6) S160-6506

- ⑤ Bolt, 3/8 - 16 X 5" (Qty 4) S103-0519
- ⑥ Flat washer, 3/8 (Qty 8) S313-0008
- ⑦ Lock nut, 3/8 - 16 (Qty 4) S362-0008
- Ⓜ Allen wrench, 3/16" (Qty 1) Q501-2001



 USE 3/16" ALLEN WRENCH - DO NOT OVER-TIGHTEN.

