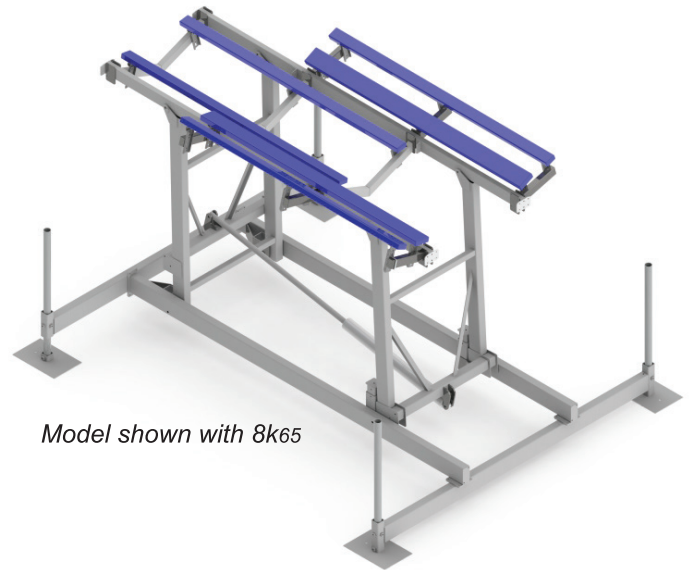
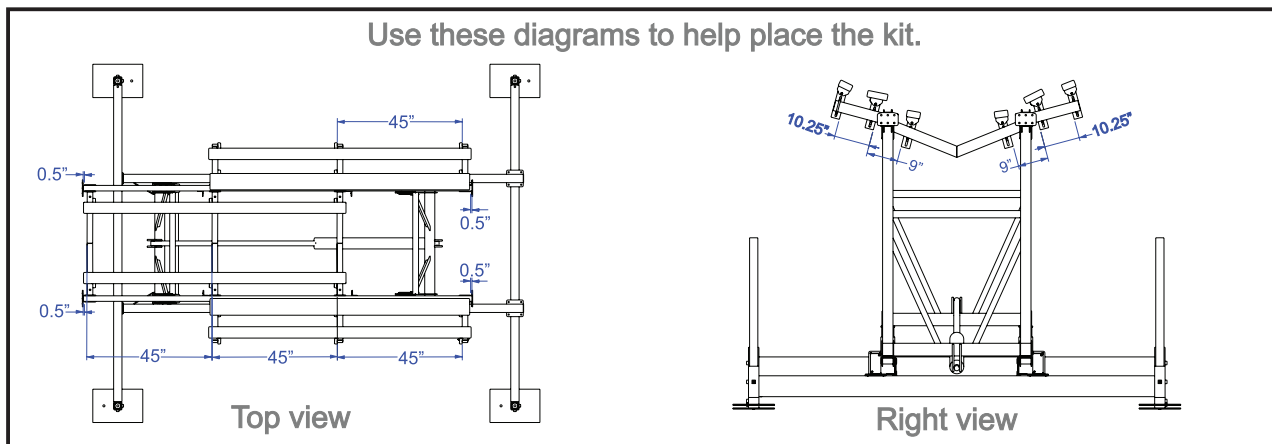
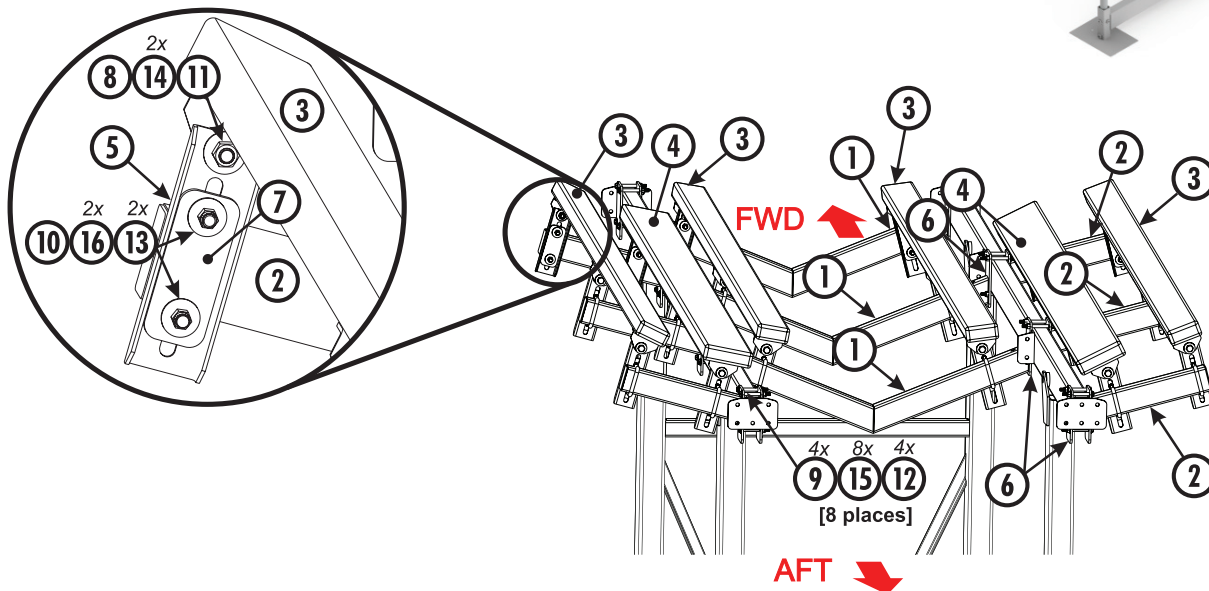


- ① Bunk Chevron Weldment (Qty 3) W113-0027
- ② Chevron Extension Weldment (Qty 6) W113-0028
- ③ Bunk Board Assembly, 2 x 4 (Qty 4) A428-0025
- ④ Bunk Board Assembly, 2 x 6 (Qty 2) A428-0026
- ⑤ Bunk Stanchion (Qty 18) K204-0112
- ⑥ Bolt Plate, Bunk Chevron (Qty 4) K204-0123
- ⑦ Bolt Plate, 2 x 5 (Qty 18) K204-0121
- ⑧ Hex head bolt, 1/2" x 1.25" (Qty 18) S103-0706
- ⑨ Hex head bolt, 3/8" x 3.5" (Qty 32) S103-0515
- ⑩ U bolt, 7/16" x 3.125" x 3.5" (Qty 18) S170-6601
- ⑪ Nylock nut, 1/2"-13 (Qty 18) S362-0010
- ⑫ Nylock nut, 3/8"-16 (Qty 32) S362-0008
- ⑬ Nylock nut, 7/16"-14 (Qty 36) S362-0009
- ⑭ Washer flat, 1/2" (Qty 36) S313-0010
- ⑮ Washer flat, 3/8" (Qty 64) S313-0008
- ⑯ Washer flat, 7/16" (Qty 36) S313-0009
- Ⓜ/Ⓞ Anti-seize grease packet (Qty 1) Y356-0003



Model shown with 8k65



Specifications subject to change.