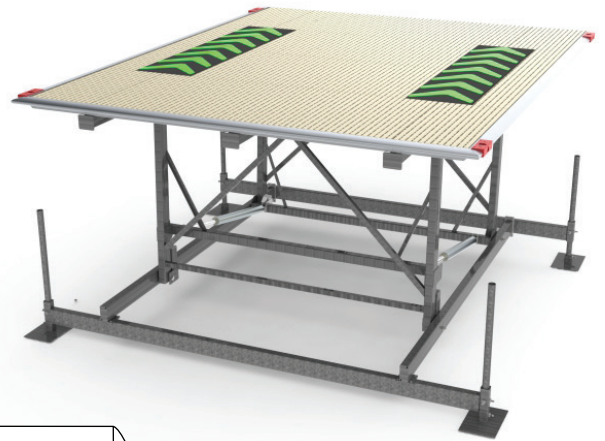
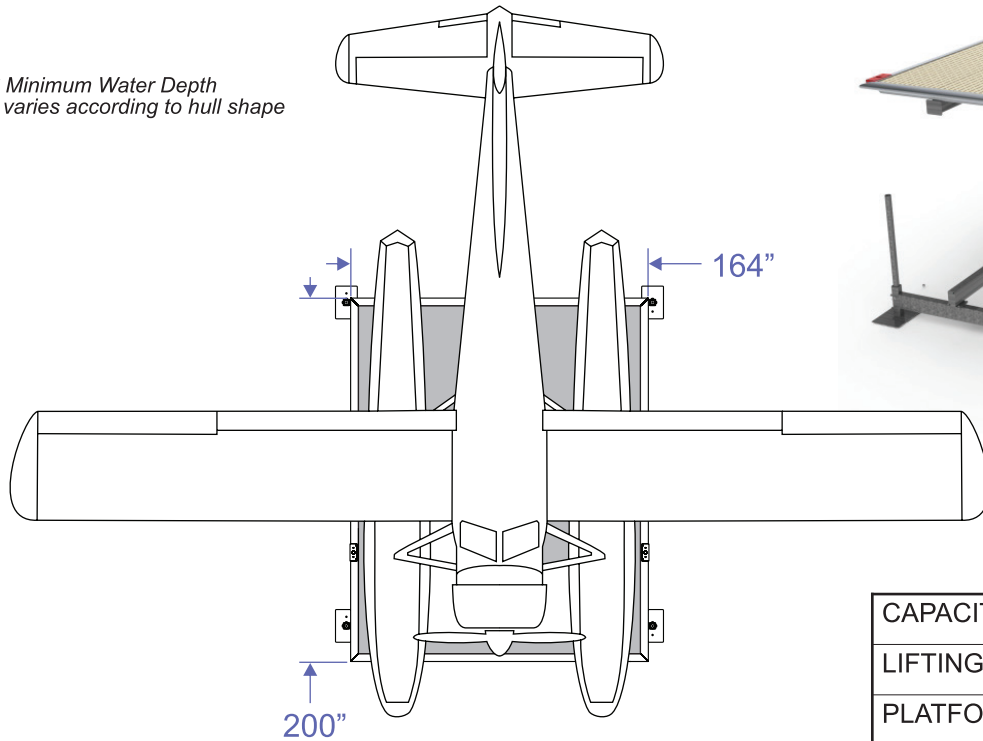


DeHavilland DHC-2 Beaver shown

* Minimum Water Depth varies according to hull shape



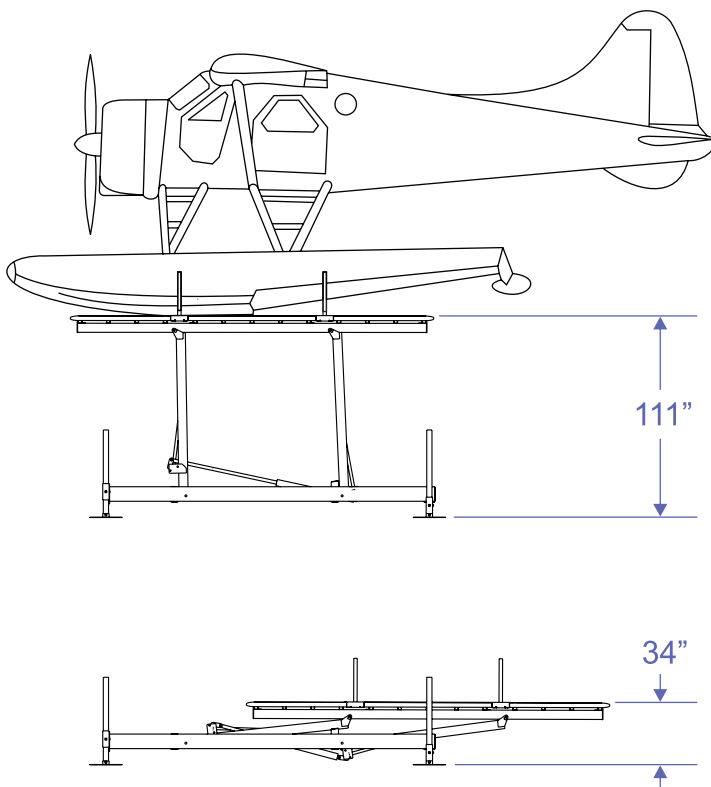
CAPACITY	8,000 LBS
LIFTING HEIGHT	77"
PLATFORM WIDTH	164"
PLATFORM LENGTH	200"

Fasten your Seaplane.

Securing a seaplane is unique - relatively light for its size with a high center of gravity and wide beam. Basta Boatlifts understands the docking demands and precision necessary when handling flying watercraft.

Basta Boatlifts seaplane lifts are engineered with an oversized galvanized steel underwater frame, this hybrid lift is topped with aluminum platform frame covered with attractive light penetrating reinforced polymer panels. Long-life rubber pads protect the aircraft's pontoons and our patented tapered clamp tie downs ensure firm anchoring points

Specifications are subject to change and can be customized to customer's requirements.



Specifications subject to change.