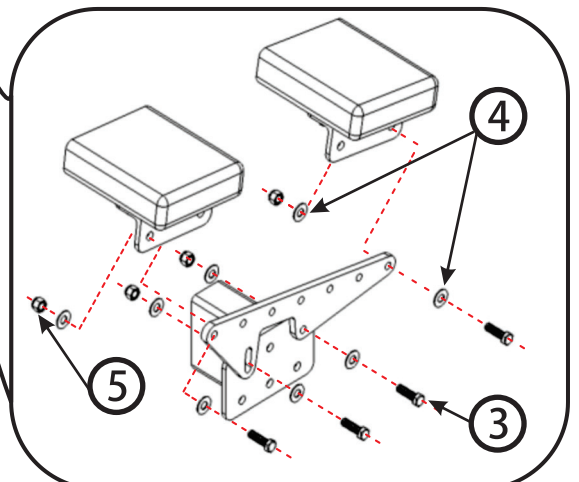
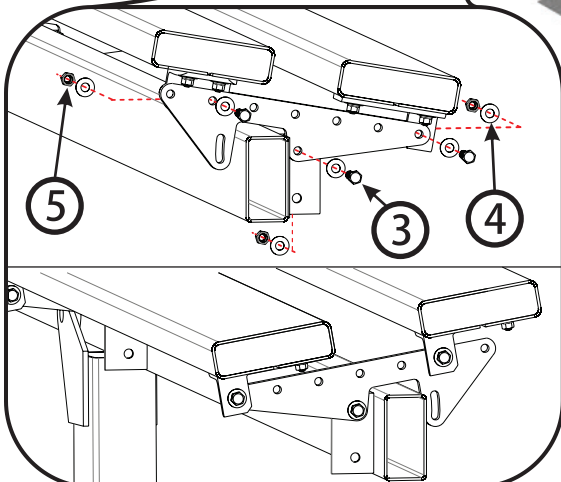
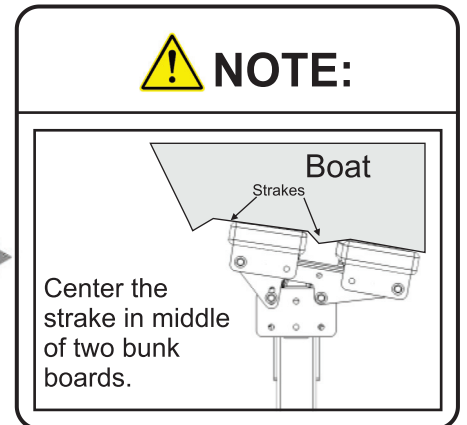
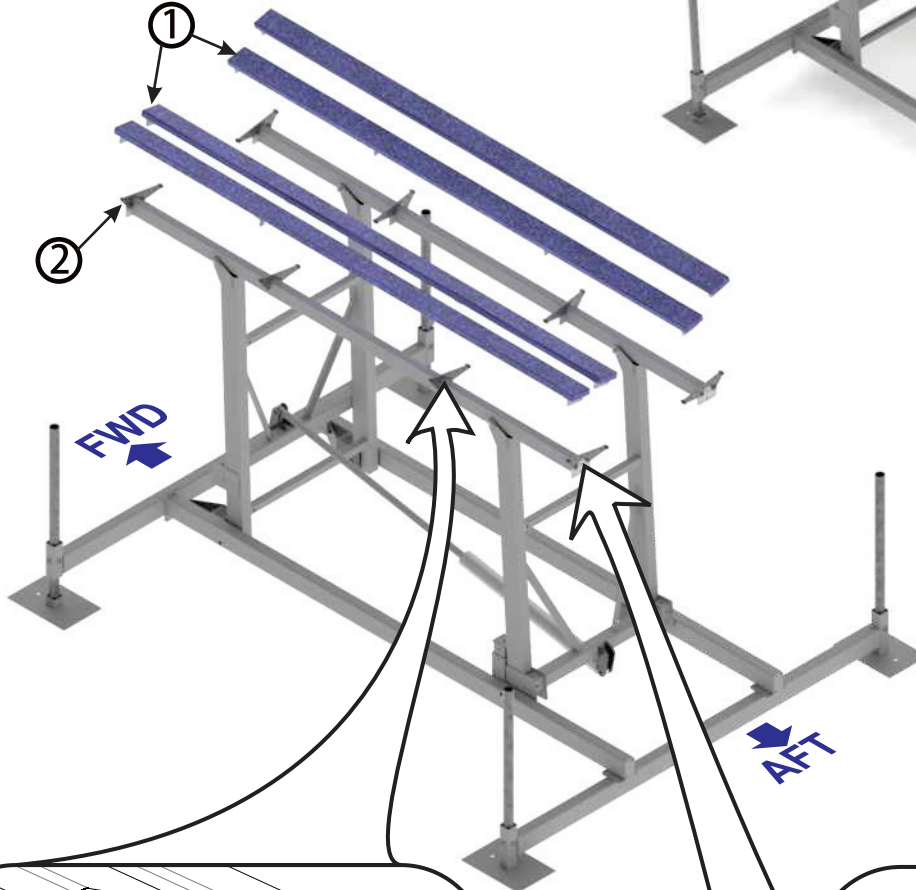
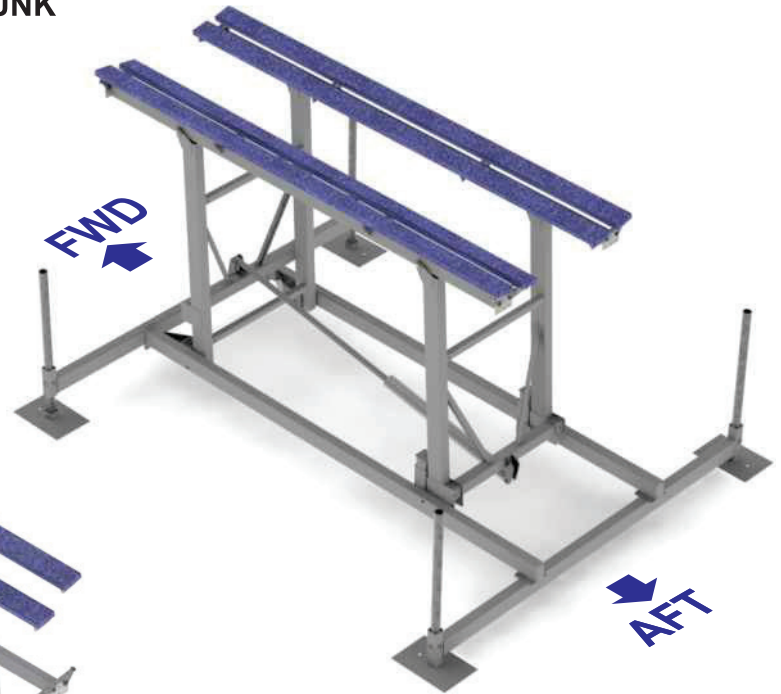


*** NOTE: KIT ALSO USES TWO EXISTING BUNK BOARDS AND HARDWARE**

- ① Bunk board assembly (Qty 2) A428-0019
- ② Dual bunk bracket (Qty 8) K204-0088
- ③ Hex head bolt (Qty 20) S103-0506
- ④ Flat washer (Qty 40) S313-1008
- ⑤ Nut, nylon lock (Qty 20) S362-0008



Specifications subject to change.