

SEE ILLUSTRATIONS ON NEXT PAGE FOR EACH STEP.

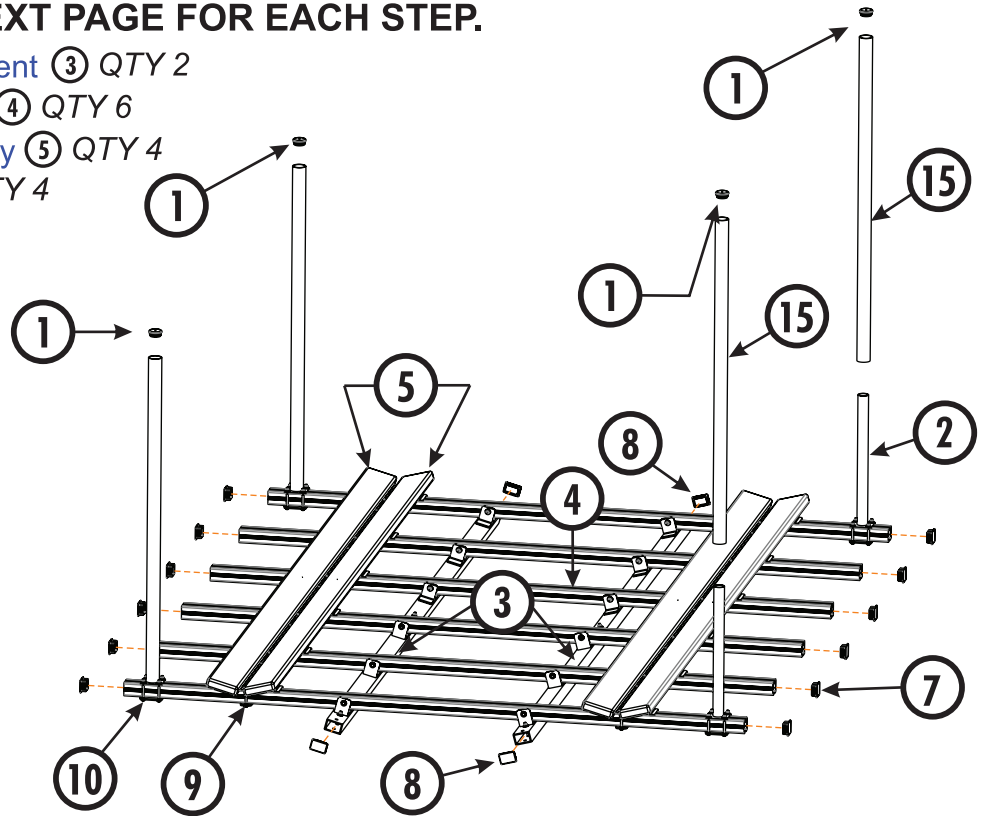
Step 1. Install Bunk Spacer Weldment ③ QTY 2

Step 2. Install Crossmember Tube ④ QTY 6

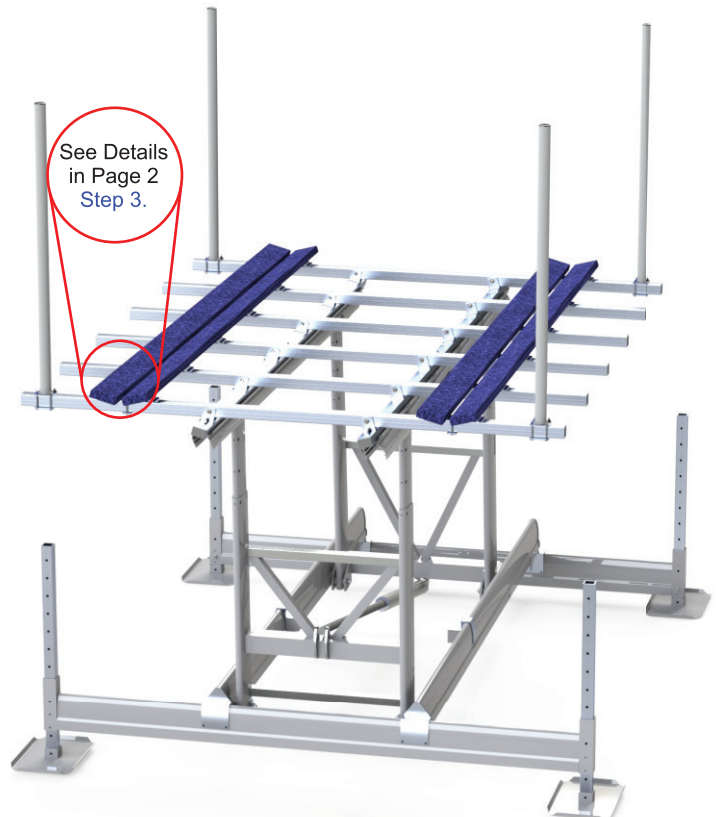
Step 3. Install Bunk Board Assembly ⑤ QTY 4

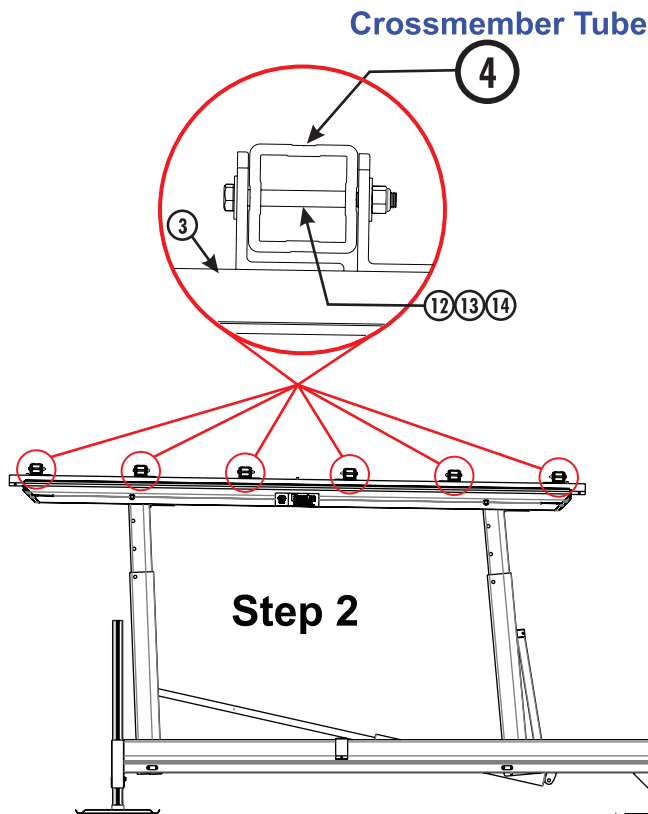
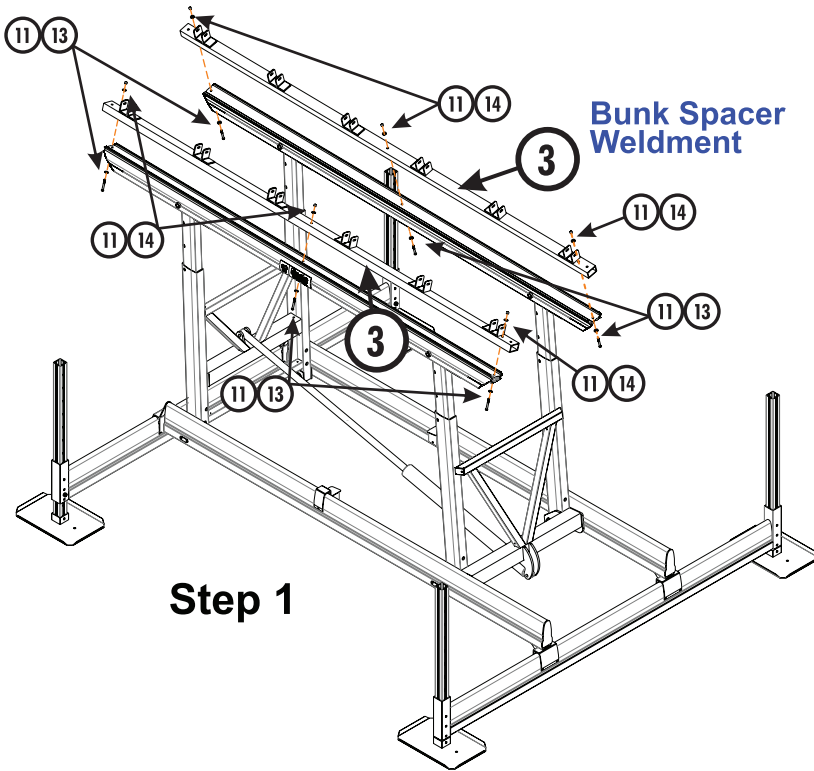
Step 4. Install CD Weldment ② QTY 4

Step 5. Install Caps ⑦ QTY 12



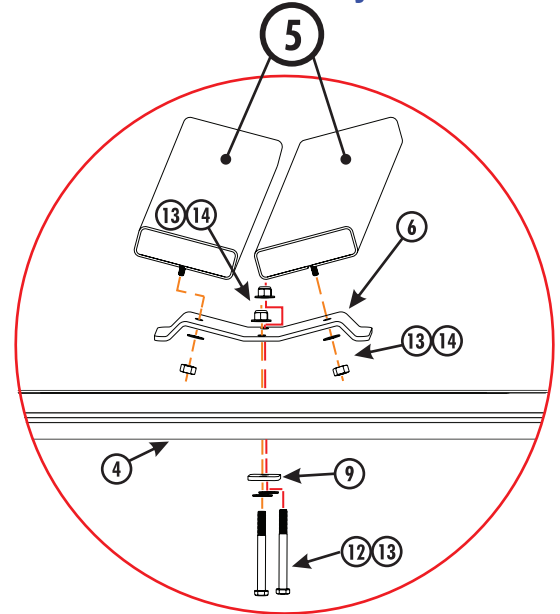
- ① Stanchion cover cap, black (Qty 4) F730-0006
- ② CD weldment (Qty 4) W108-0031
- ③ Bunk spacer weldment (Qty 2) W121-0004
- ④ Crossmember tube (Qty 6) K207-0025
- ⑤ Bunk board assembly (Qty 4) W410-0094
- ⑥ Bunk bracket (Qty 12) K204-0093
- ⑦ Plastic cap, black (Qty 12) F730-0021
- ⑧ Plastic cap, black rectangular (Qty 4) F730-0022
- ⑨ Bolt plate, bunk (Qty 12) K204-0092
- ⑩ Mounting plate (Qty 4) K204-1075
- ⑪ Hex head bolt, 3" (Qty 6) S103-0513
- ⑫ Hex head blot, 3.75" (Qty 36) S103-0516
- ⑬ Flat washer 3/8" (Qty 108) S313-0008
- ⑭ Nut, nylock 3/8" (Qty 66) S362-0008
- ⑮ Buffer tube (Qty 4) K204-1006
- Ⓝ Anti-seize packet (Qty 1) Y356-0003





Step 3

Bunk Board Assembly



CD Weldment

