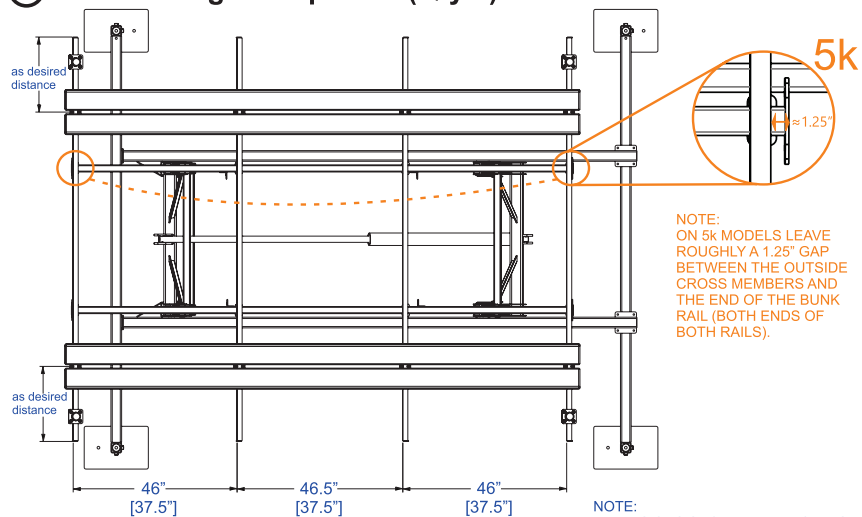
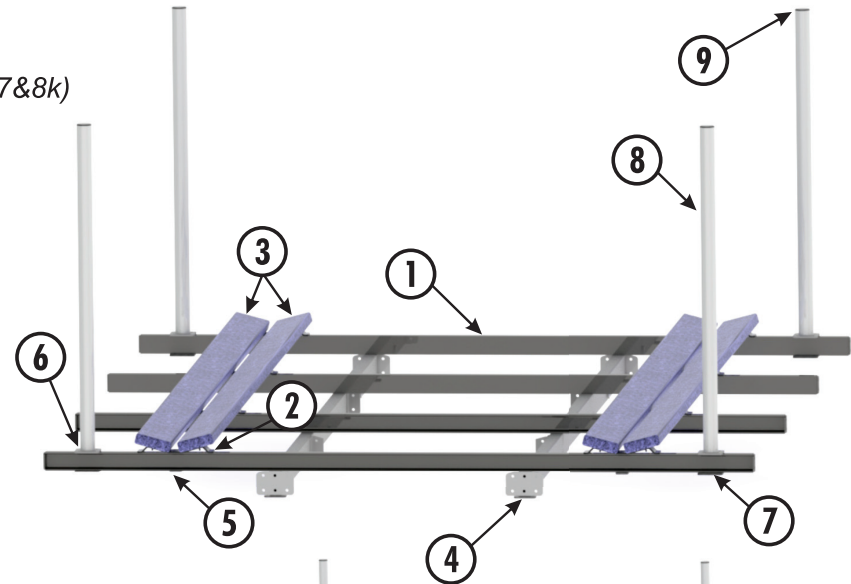
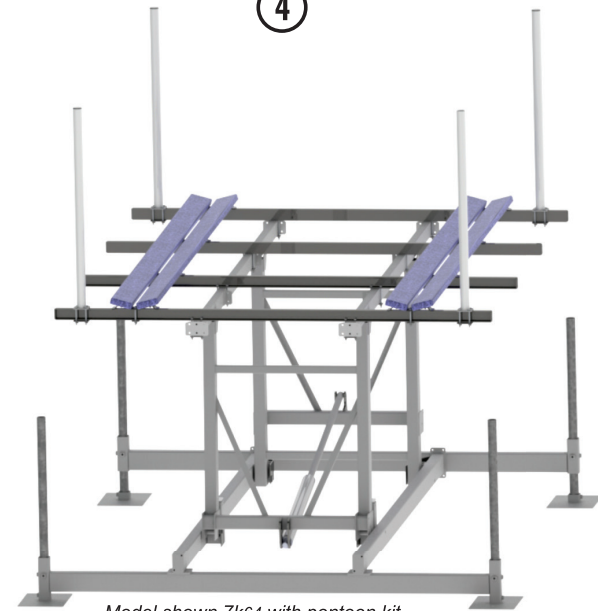


- ① Crossmember weldment (Qty 4) W121-0003
- ② Bunk bracket (Qty 8) K204-0164
- ③ Bunk board assembly (Qty 4) W410-0099(5k), W410-0077(7&8k)
- ④ Bolt plate, crossmember (Qty 8) K204-0162
- ⑤ Bolt plate, bunk (Qty 8) K204-0163
- ⑥ CG weldment (Qty 4) W108-0051
- ⑦ Mounting plate (Qty 4) K204-1108
- ⑧ Buffer tube (Qty 4) K204-1006
- ⑨ Insert cap (Qty 4) F730-0006
- ⑩ Hex head bolt, 3/8" x 4.5 (Qty 48~5k, 32~7&8k) S103-0518
- ⑪ Hex head bolt, 3/8" x 5.5 (Qty 16~7&8k only) S103-0520
- ⑫ Nut, 5/16" (Qty 16) S341-0007
- ⑬ Flat washer, 5/16" (Qty 16) S312-0007
- ⑭ Lock washer, 5/16" (Qty 16) S321-0007
- ⑮ Flat washer, 3/8" (Qty 96) S313-0008
- ⑯ Nylock Nut, 3/8" (Qty 48) S362-0008
- ⑰ Anti-seize grease packet (Qty 1) Y356-0003



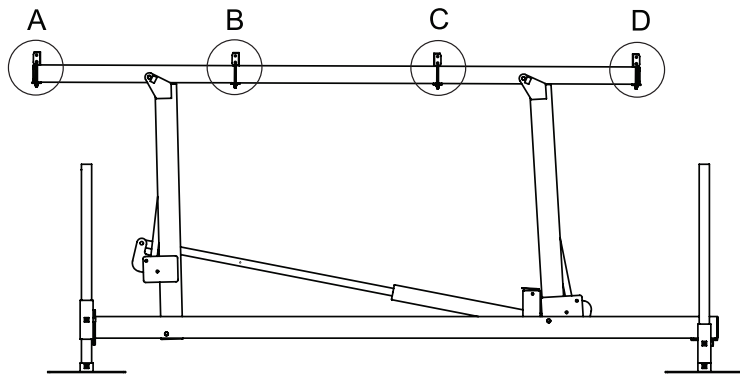
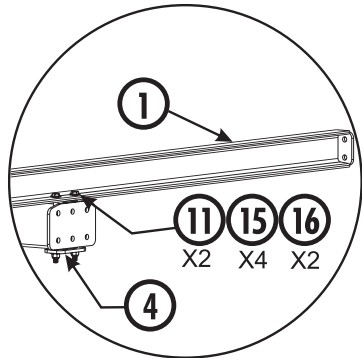
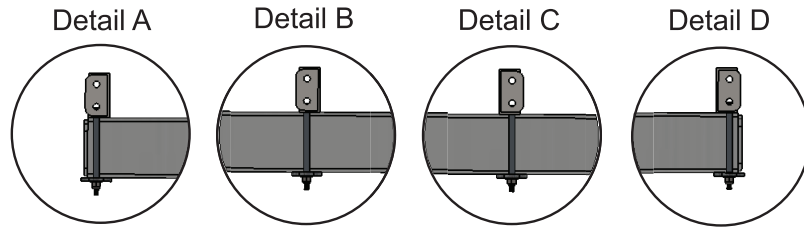
NOTE:  
ON 5k MODELS LEAVE  
ROUGHLY A 1.25" GAP  
BETWEEN THE OUTSIDE  
CROSS MEMBERS AND  
THE END OF THE BUNK  
RAIL (BOTH ENDS OF  
BOTH RAILS).

NOTE:  
DIMENSIONS SHOWN IN [BRACKETS] ARE  
FOR 5k MODELS ONLY.

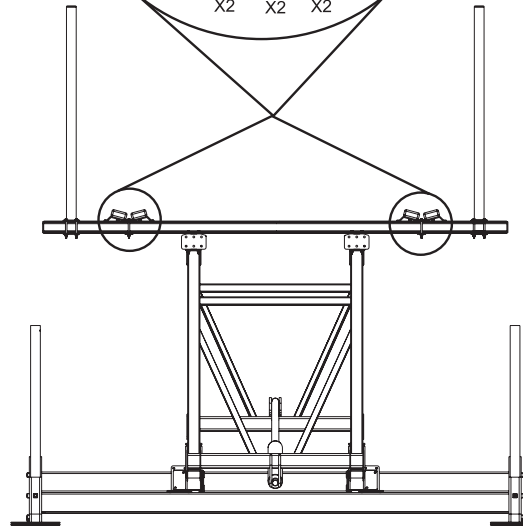
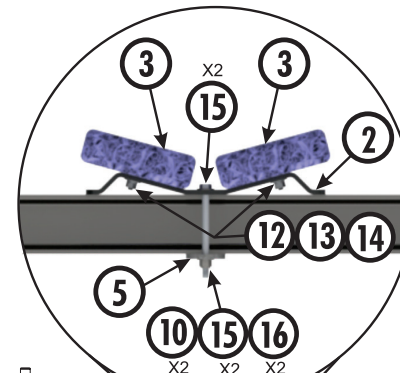


Model shown 7k64 with pontoon kit.

Step 1. Install Crossmember Weldment



Step 2. Install Bunk Board Assembly



Step 3. Install CG weldment

