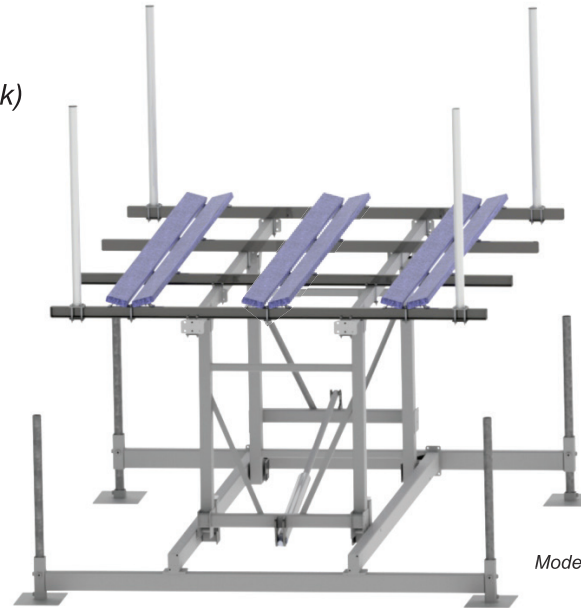
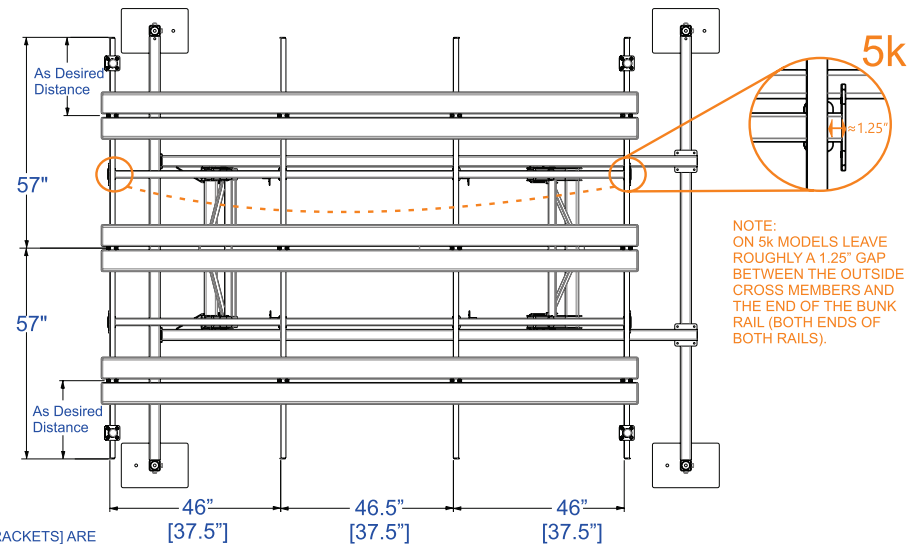
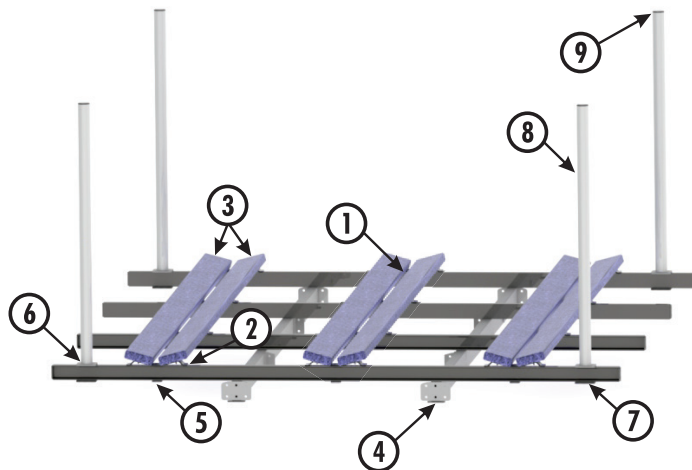


- ① Crossmember weldment (Qty 4) W121-0003
- ② Bunk bracket (Qty 12) K204-0164
- ③ Bunk board assembly (Qty 6) W410-0099(5k), W410-0077(7&8k)
- ④ Bolt plate, crossmember (Qty 8) K204-0162
- ⑤ Bolt plate, bunk (Qty 12) K204-0163
- ⑥ CG weldment (Qty 4) W108-0051
- ⑦ Mounting plate (Qty 4) K204-1108
- ⑧ Buffer tube (Qty 4) K204-1006
- ⑨ Insert cap (Qty 4) F730-0006
- ⑩ Hex head bolt, 3/8" x 4.5 (Qty 56~5k, 40~7&8k) S103-0518
- ⑪ Hex head bolt, 3/8" x 5.5 (Qty 16~7&8k only) S103-0520
- ⑫ Nut, 5/16" (Qty 24) S341-0007
- ⑬ Flat washer, 5/16" (Qty 24) S312-0007
- ⑭ Lock washer, 5/16" (Qty 24) S321-0007
- ⑮ Flat washer, 3/8" (Qty 112) S313-0008
- ⑯ Nylock Nut, 3/8" (Qty 56) S362-0008
- ⑰ n/a Anti-seize grease packet (Qty 2) Y356-0003

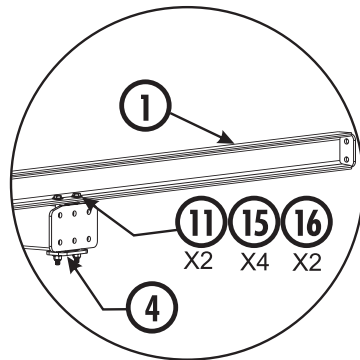
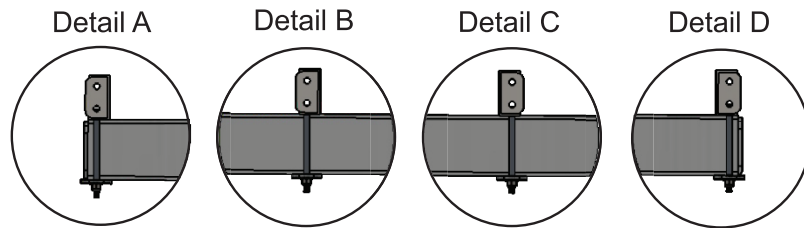


Model shown 7k64 with tri-pontoon kit.

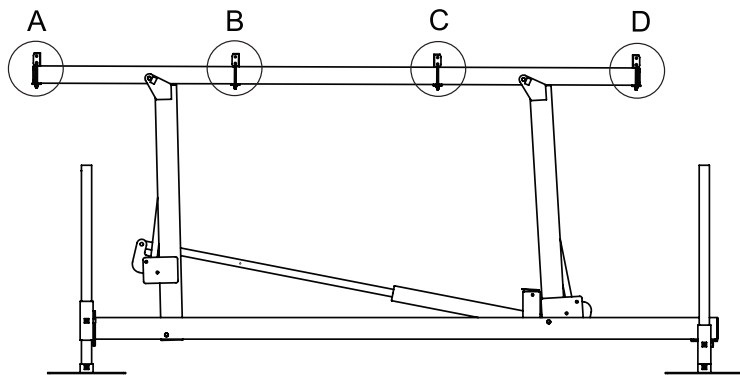


NOTE:  
DIMENSIONS SHOWN IN [BRACKETS] ARE  
FOR 5k MODELS ONLY.

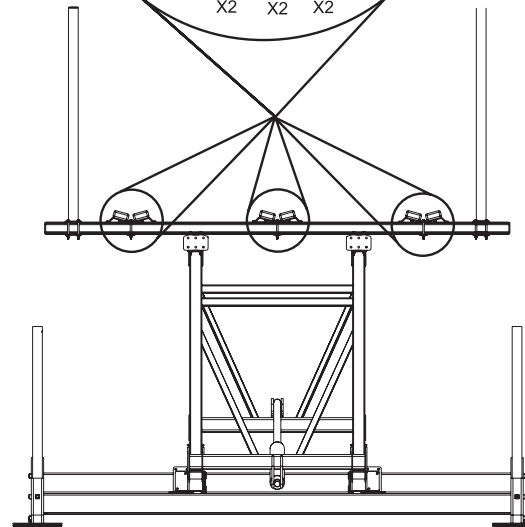
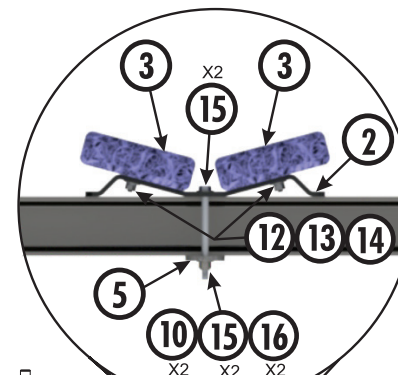
## Step 1. Install Crossmember Weldment



**NOTE: INSTALL FLAT WASHERS UNDER BOTH NUTS AND BOLT HEADS**



## Step 2. Install Bunk Board Assembly



## Step 3. Install CG weldment

