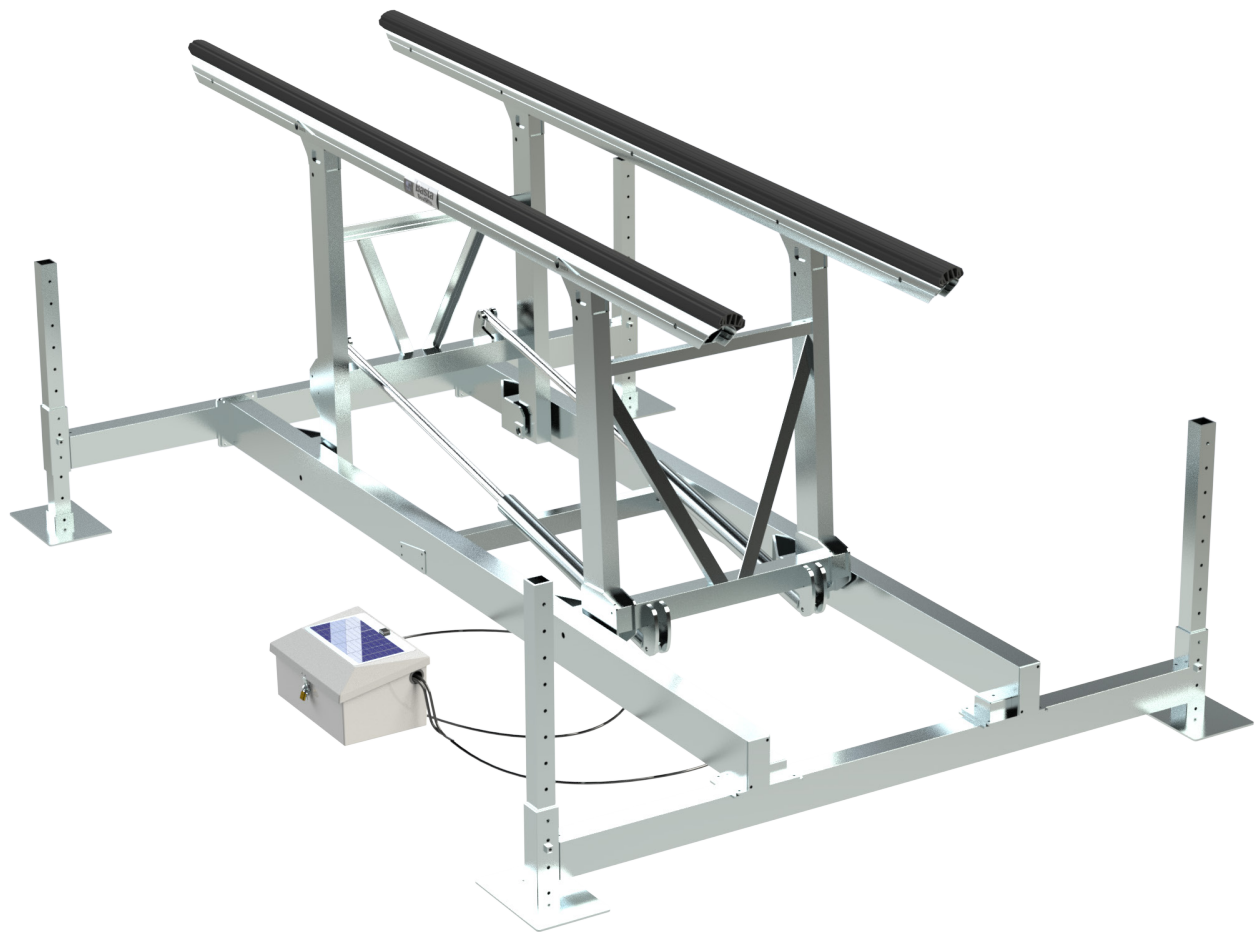

BASTA BOATLIFTS
OVER-CENTER HYDRAULIC ALUMINUM LIFT
12,000 lb Capacity Boat Lift
Model 12k60



866-GoBasta | GoBasta.com

COPYRIGHT 2023
BASTA BOATLIFTS



12/23
L392-0118

DANGER

- Do not exceed the maximum weight capacity specified for the lift. Maximum weight capacity can be found on the cover of this manual and on the H frame of the lift. Improper use or failure to follow this instruction can cause property damage, serious injury, or death.
- Never use for lifting humans or animals. Improper use or failure to follow this instruction can cause property damage, serious injury, or death. The lift should only be used for lifting boats & watercraft.
- The lift should only be used for lifting boats & watercraft.
- Always avoid being under, and maintain adequate clearance from, the lift. Failure to follow this instruction can cause serious injury or death.
- Always use AGM batteries and follow battery manufacturer's warnings and instructions. Improper use, or use of other batteries, have the potential to produce flammable hydrogen gas which can result in serious injury or death.

WARNING

- Visually inspect all parts and assemblies for damage or defects prior to assembling lift.
- Verify the lower frame of the lift is level before each use.
- Do not play on or near the lift.
- Do not service the boat lift with the watercraft on the lift.
- High pressure hydraulics can penetrate skin. Oil injected into the skin from high pressure systems can cause severe injury. In the case of injury, seek medical attention immediately.

CAUTION

- Do not install the lift alone.
- Passengers should stand clear of the lift when the lift is in operation.

SAFETY	P 2
PRODUCT INFORMATION & WARRANTY.....	P 2
PARTS LIST AND DIAGRAMS	P 4-5
ASSEMBLY INSTRUCTIONS	P 6-15
OPERATIONAL INSTRUCTIONS	P 16
REMOTE CONTROL FOB INFORMATION	P 17
TROUBLESHOOTING / FAQ	P 18
MAINTENANCE	P 19
MAINTENANCE LOG	P 20

PRODUCT INFORMATION

Serial #: _____

Purchased From: _____

Date of Purchase: _____

Contact Name: _____

Phone #: _____

Notes: _____

IMPORTANT!

**WARRANTY MUST BE
REGISTERED WITHIN 30 DAYS
OF INSTALLATION.**

TO REGISTER, SCAN HERE OR VISIT
WWW.BASTABOATLIFTS.COM/SUPPORT



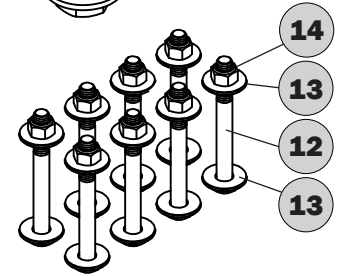
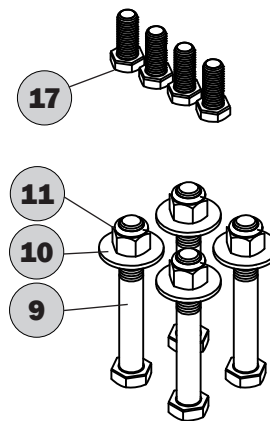
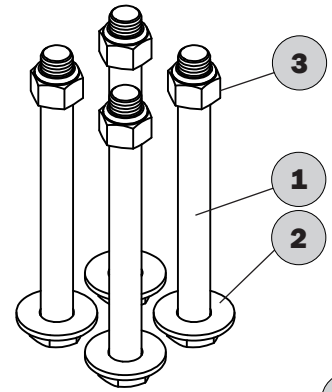
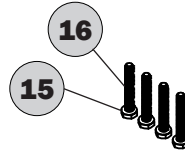
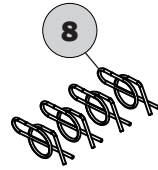
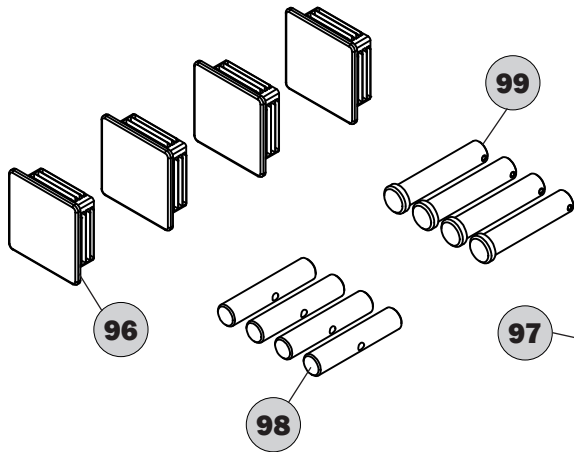
FOR WARRANTY REGISTRATION, VISIT OUR WEBSITE AT WWW.BASTABOATLIFTS.COM/SUPPORT

PARTS LIST - BOAT LIFT

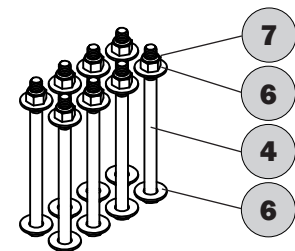
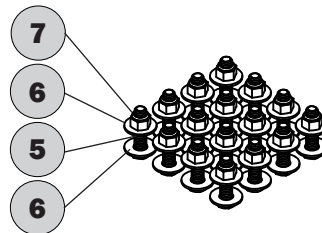


ITEM	PART NO.	DESCRIPTION	QTY.
AA	W111-0024	Base Crossmember, Forward	1
BB	W111-0023	Base Crossmember, Aft	1
CC	W105-0014	Side Rail, Left	1
DD	W105-0015	Side Rail, Right	1
EE	W117-0004	Foot Weldment	4
FF	A431-0065	H-Frame Assembly, Forward	1
GG	A431-0066	H-Frame Assembly, Aft	1
HH	W114-0030	Bunk Rail, Inner	2
JJ	A427-0047	Outer Bunk Rail Assembly, Left	1
KK	A427-0048	Outer Bunk Rail Assembly, Right	1
LL	W119-0007	Center Brace Weldment	1
MM	K200-0291	Center Brace Plate, Outer	2
NN	H310-0019	Hydraulic Assembly (Cylinders + Hoses)	1

ITEM	PART NO.	DESCRIPTION	QTY.
A	Var.	Leg (Variable Lengths)	4
B	W102-0049	H-Frame Weldment, Forward (part of FF)	1
C	W102-0048	H-Frame Weldment, Aft (part of GG)	1
D	W114-0032	Inner Arm Weldment (part of FF, GG)	4
E	W114-0031	bunk rail weldment, left (part of JJ)	1
F	W114-0032	bunk rail weldment, right (part of KK)	1
G	K204-2134	Rubber Bunk Cushion (part of JJ, KK)	2
H	H402-5305	Cylinder (part of NN)	2
J	K204-0230	Cushion Mounting Bar (part of JJ, KK)	4
K	S313-0007	Washer, flat 5/16 (part of MM, NN)	(8)
L	S322-0007	Washer, lock 5/16 (part of MM, NN)	(8)
M	S342-0007	Bolt, 5/16-18 x 1 SS (part of MM, NN)	(8)
N/A	M621-0011	Flange Bushing, Base (part of FF, GG)	8
N/A	M621-1010	Flange Bushing, Bunk (part of FF, GG)	8
N/A	H123-0042	Main Hose Assembly (part of NN)	1
N/A	H111-0004	Jumper Hose Assembly (part of NN)	4
N/A	H791-0006	Fitting Kit (part of NN)	1

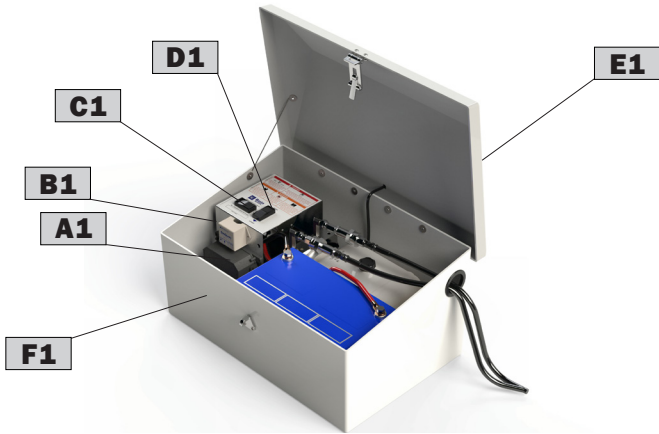


ITEM	PART NO.	DESCRIPTION	QTY.
1	S103-1020	Bolt, Hex Head 1"-8 x 10 SS	4
2	S313-0015	Washer, Flat 1" SS	4
3	S362-0014	Nut, 1"-8 Nylock SS	4
4	S103-0520	Bolt, Hex Head 3/8-16 x 5.5 SS	8
5	S103-0507	Bolt, Hex Head 3/8-16 x 1.5 SS	16
6	S313-0008	Washer, Flat 3/8 SS	48
7	S362-0008	Nut, 3/8-16 Nylock SS	24
8	S522-0801	Ring Cotter Pin .091 x 3/4 SS	4
9	S103-0913	Bolt, Hex Head 3/4-10 x 5.5 SS	4
10	S313-0013	Washer, Flat 3/4 SS	4
11	S362-0012	Nut, 3/4 - 10 Nylock SS	4
12	S103-0717	Bolt, Hex Head 1/2-13 X 4.5 SS	8
13	S313-0010	Washer, Flat 1/2 SS	16
14	S362-0010	Nut, 1/2 - 13 Nylock SS	8
15	S322-0006	Washer, Lock 1/4 SS	4
16	S103-0338	Bolt, Hex 1/4 X 1.75 Full Thread	4
17	S166-6812	Set Screw, Hex 5/8 X 1.5 SS	4

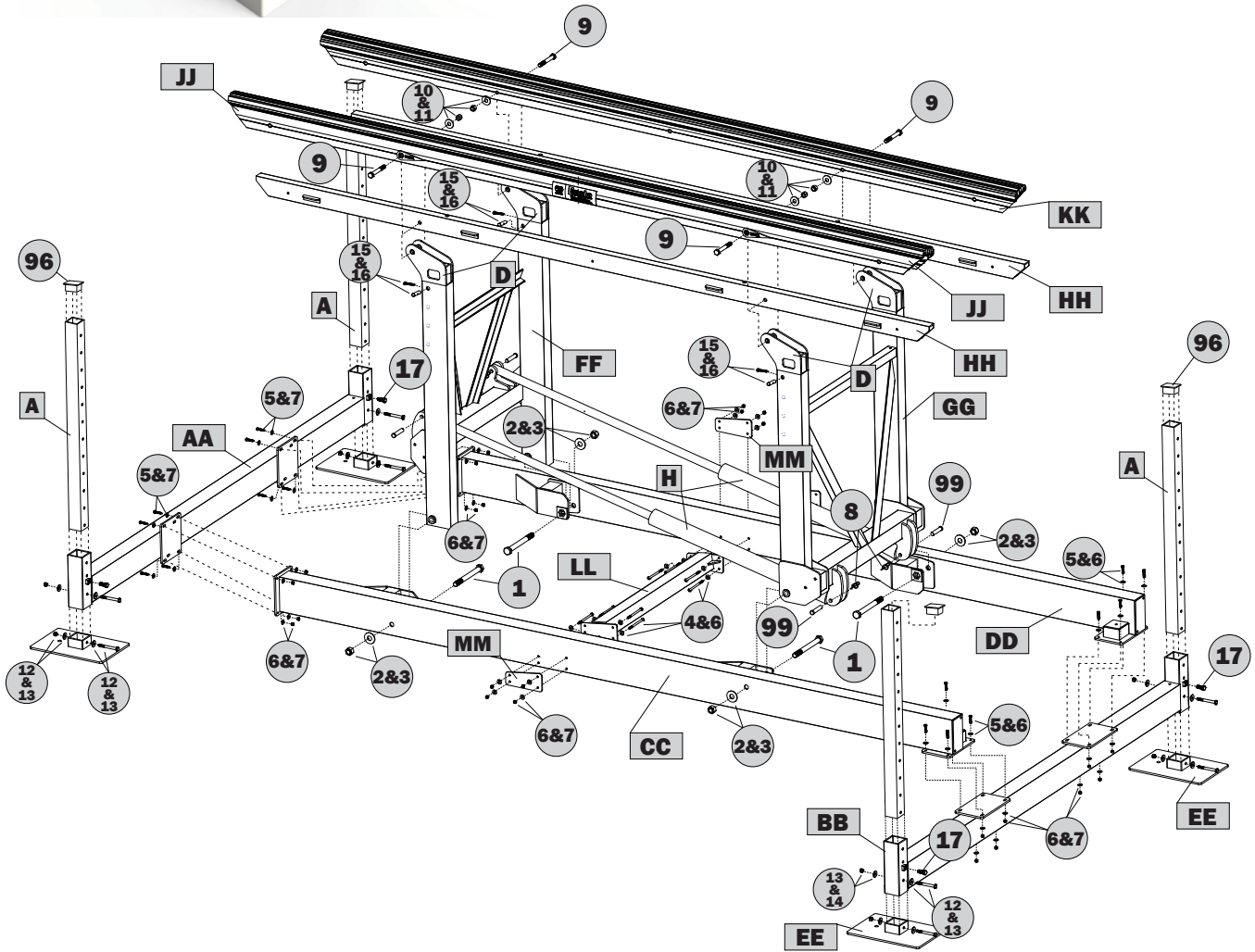


ITEM	PART NO.	DESCRIPTION	QTY.
99	S503-0013	Clevis Pin, 3/4 X 3.5	4
98	S503-0010	Extension Arm Pin	4
97	Y356-0003	Anti-Seize Packet	2
96	F730-0025	Leg Caps	4
N/A	L129-0001	Key Fob Floats	2

**POWER PACKAGE
#H653-0017**



ITEM	PART NO.	DESCRIPTION	QTY.
A1	R812-0011	Remote Control Master Unit	1
B1	R283-0002	Solar Controller	1
C1	R310-0001	On/Off Switch	1
D1	R310-0002	Up/Down Switch	2
E1	R281-0004	Solar Panel Assembly	1
F1	C243-0003	Power Box Unit, STD	1



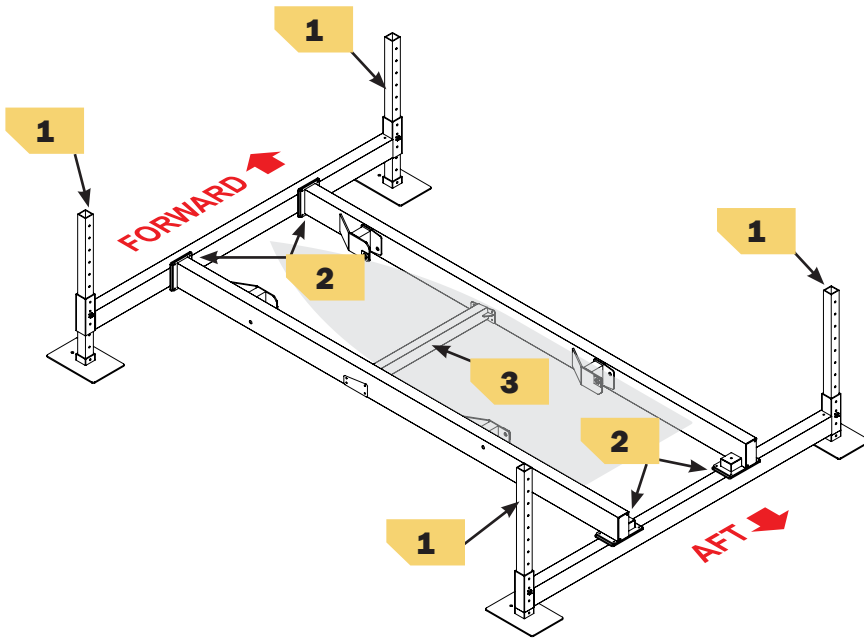
Symbol Glossary for the following pages:

- 1** indicates an illustration for a procedure.
- AA / A** indicates a major/minor part described in the parts list on pages 4.
- a** or **c+d** indicate hardware items shown above and described in the parts list on pages 4 and 5.

Tools needed for the job:

- Tape measure
- Level
- 9/16 socket wrench
- 9/16 box-end wrench
- Large slip joint pliers
- Medium sized adjustable wrench

Pictured: Steps 1-3



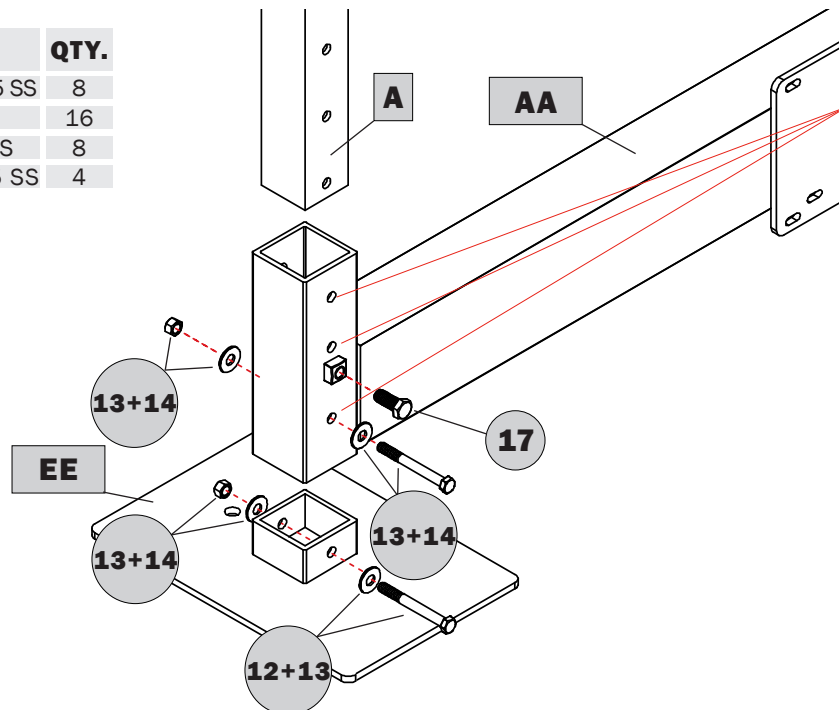
Use a small amount of anti-seize on bolt threads throughout the assembly process.

Do not tighten any hardware until step 12.

Do not tighten bolt '17' until step 18.

1 Feet & Legs (4 Places)

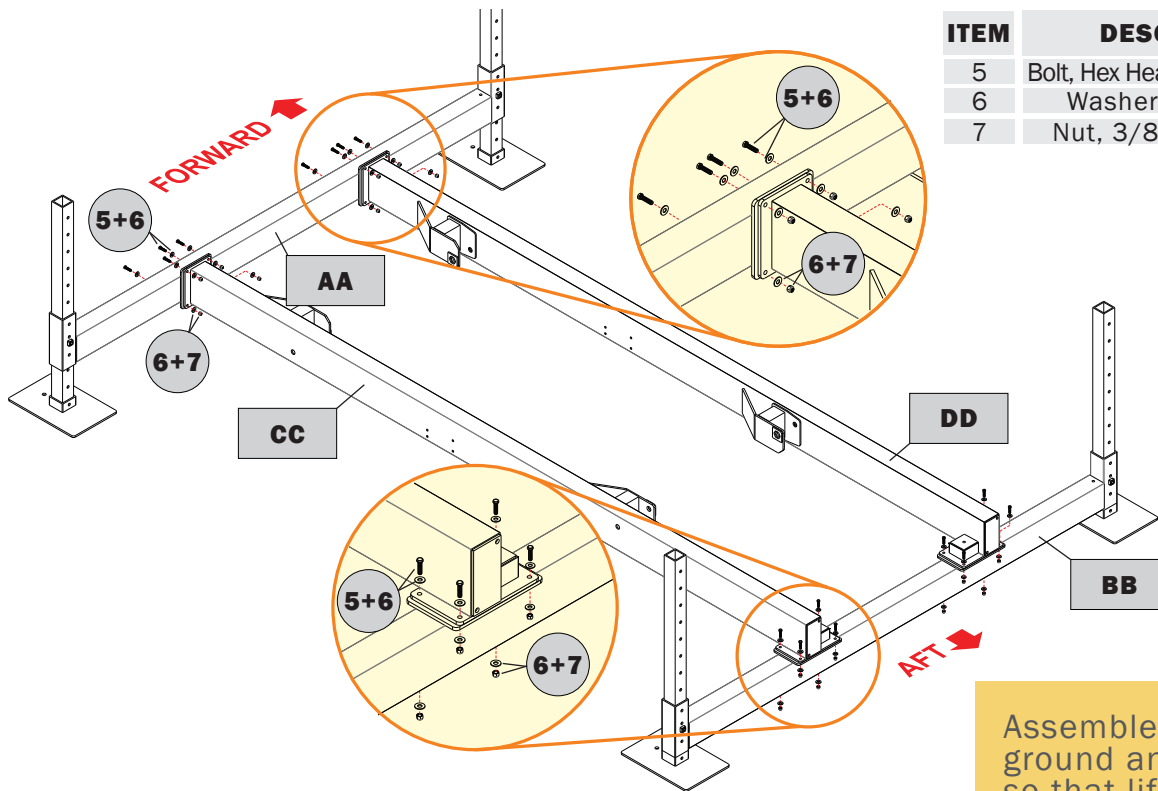
ITEM	DESCRIPTION	QTY.
12	Bolt, Hex Head 1/2-13 X 4.5 SS	8
13	Washer, Flat 1/2 SS	16
14	Nut, 1/2 - 13 Nylock SS	8
17	Set Screw, Hex 5/8 X 1.5 SS	4



NOTE: The 3 different holes shown can be used for adjustment during installation.

2

Base Frame (Crossmembers & Side Rails)

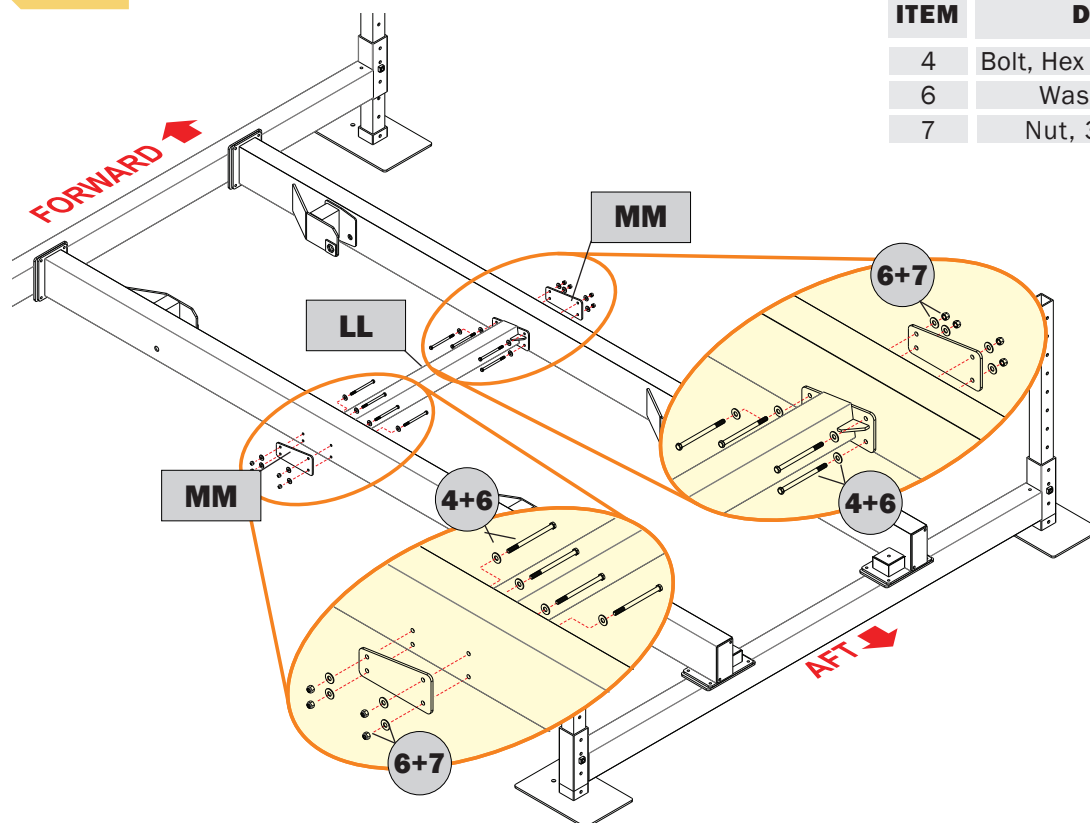


ITEM	DESCRIPTION	QTY.
5	Bolt, Hex Head 3/8-16 x 1.5 SS	16
6	Washer, Flat 3/8 SS	32
7	Nut, 3/8-16 Nylock SS	16

Assemble lift on level ground and adjust legs so that lift base frame is level during lift assembly.

3

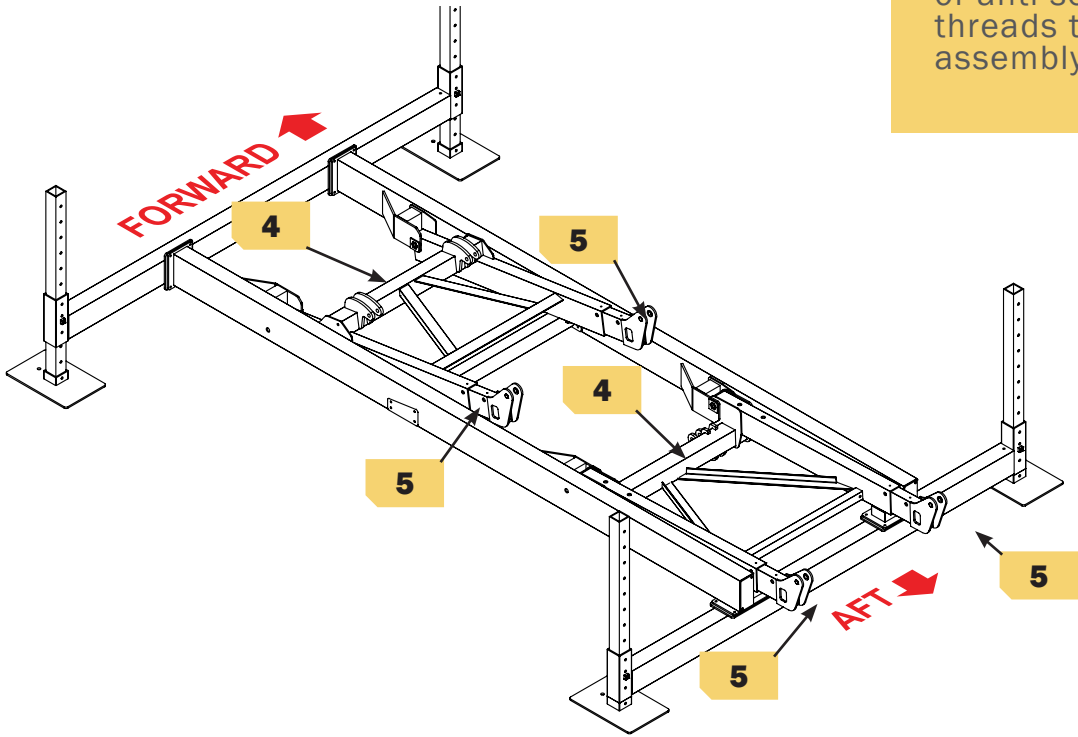
Center Brace



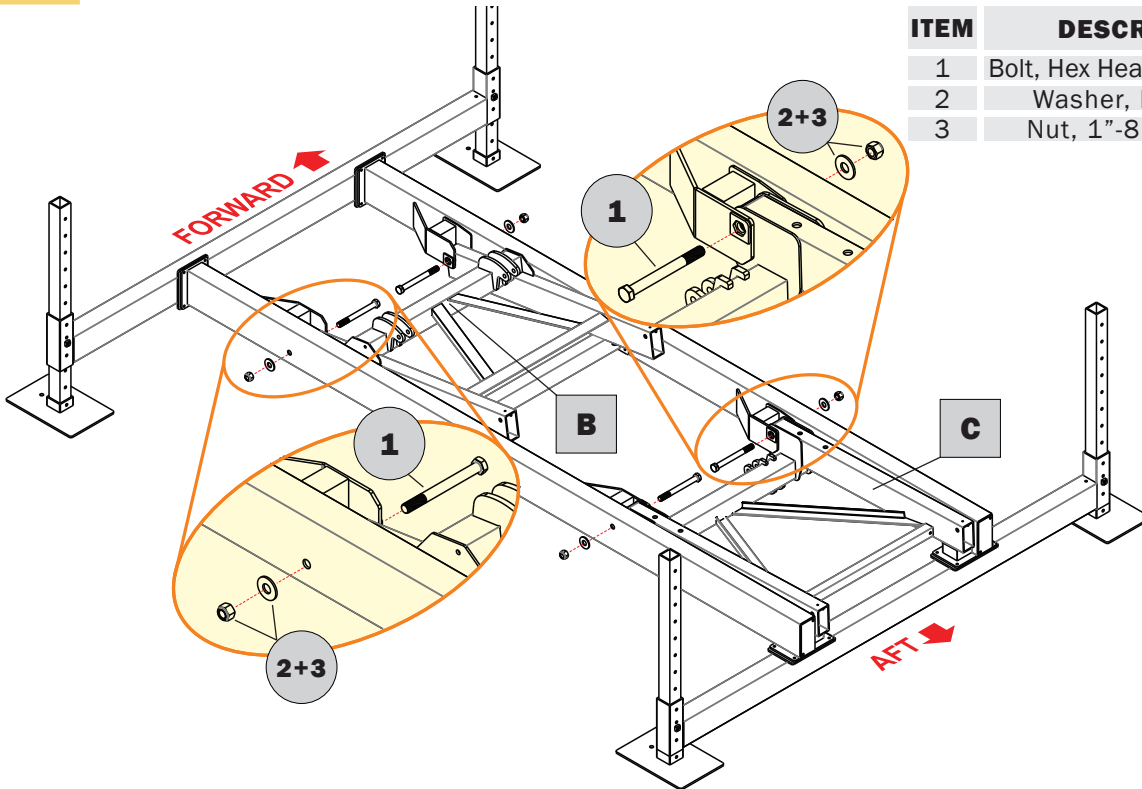
ITEM	DESCRIPTION	QTY.
4	Bolt, Hex Head 3/8-16 x 5.5 SS	8
6	Washer, Flat 3/8 SS	32
7	Nut, 3/8-16 Nylock SS	16

Pictured: Steps 4-5

Use a small amount of anti-seize on bolt threads through the assembly process.



4 H-Frames (Forward & Aft)



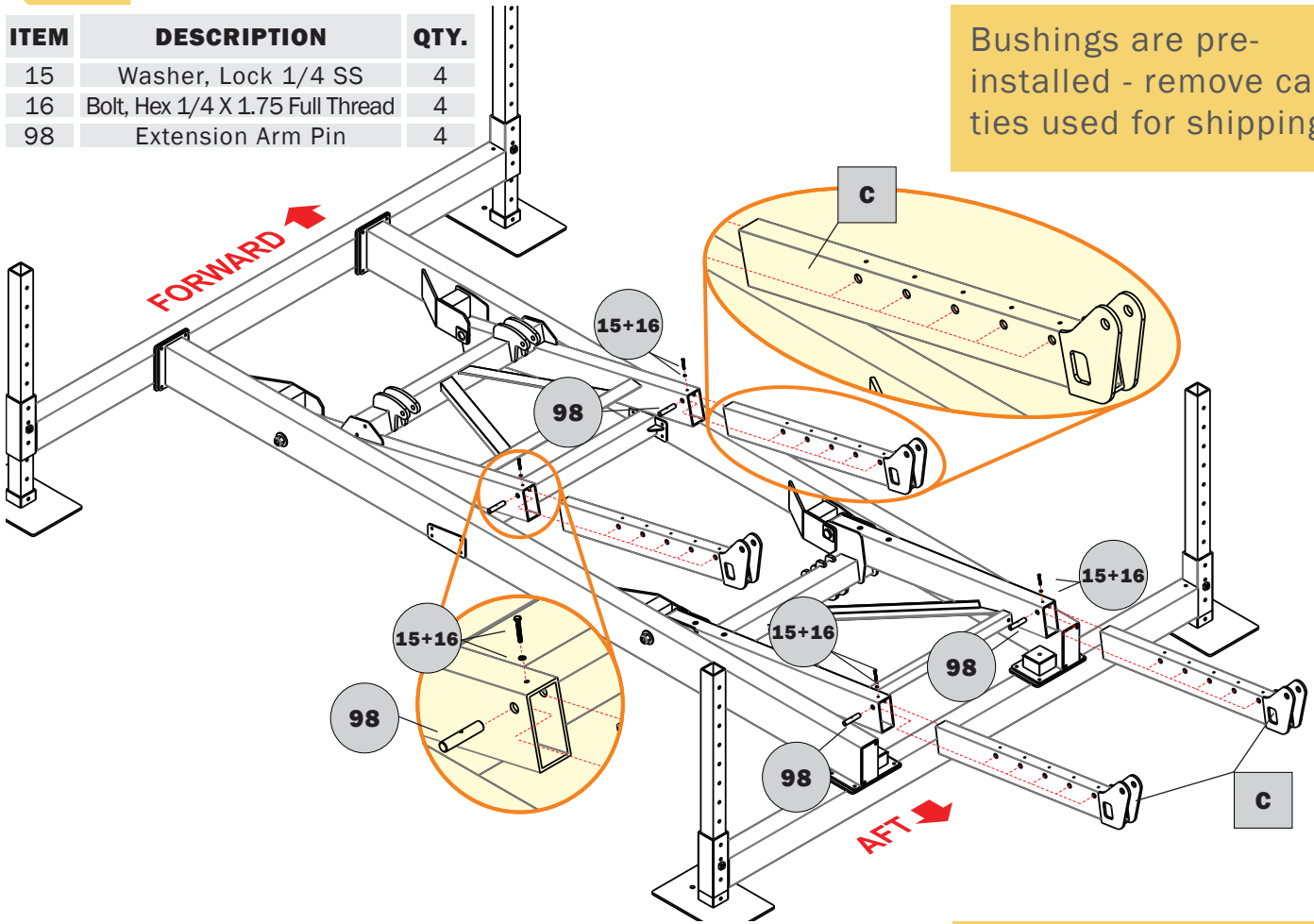
ITEM	DESCRIPTION	QTY.
1	Bolt, Hex Head 1"-8 x 10 SS	4
2	Washer, Flat 1" SS	4
3	Nut, 1"-8 Nylock SS	4

5

Inner Arms (Forward & Aft)

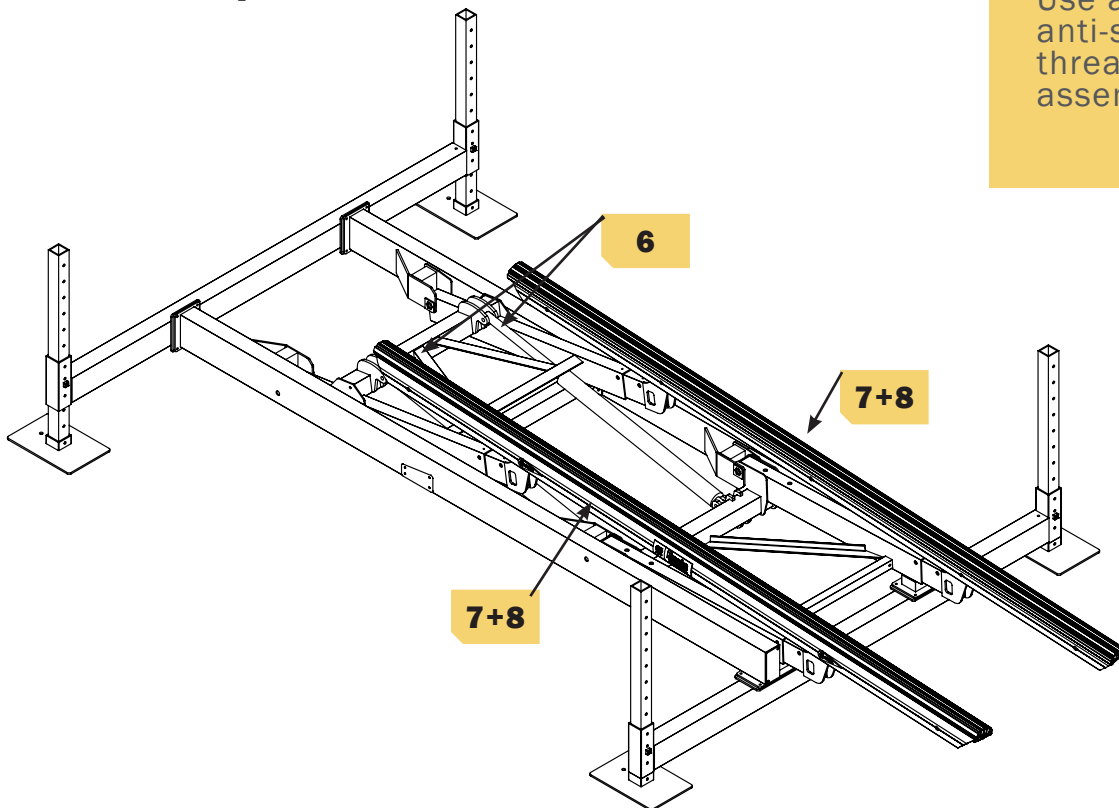
ITEM	DESCRIPTION	QTY.
15	Washer, Lock 1/4 SS	4
16	Bolt, Hex 1/4 X 1.75 Full Thread	4
98	Extension Arm Pin	4

Bushings are pre-installed - remove cable ties used for shipping.



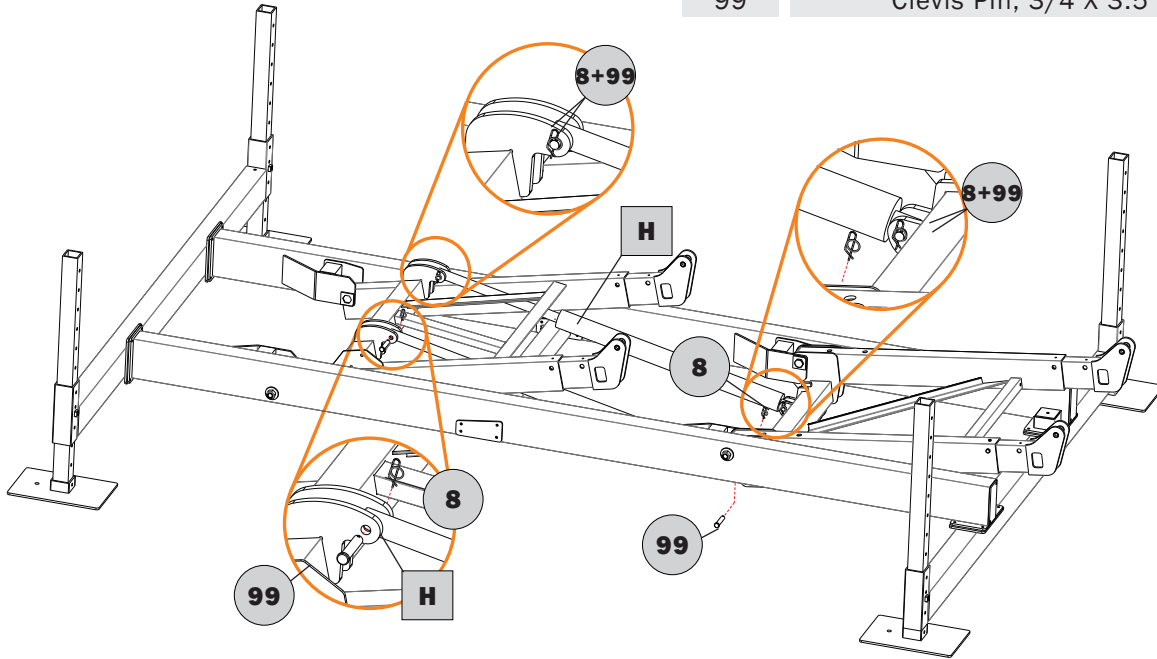
Pictured: Steps 6-8

Use a small amount of anti-seize on bolt threads through the assembly process.



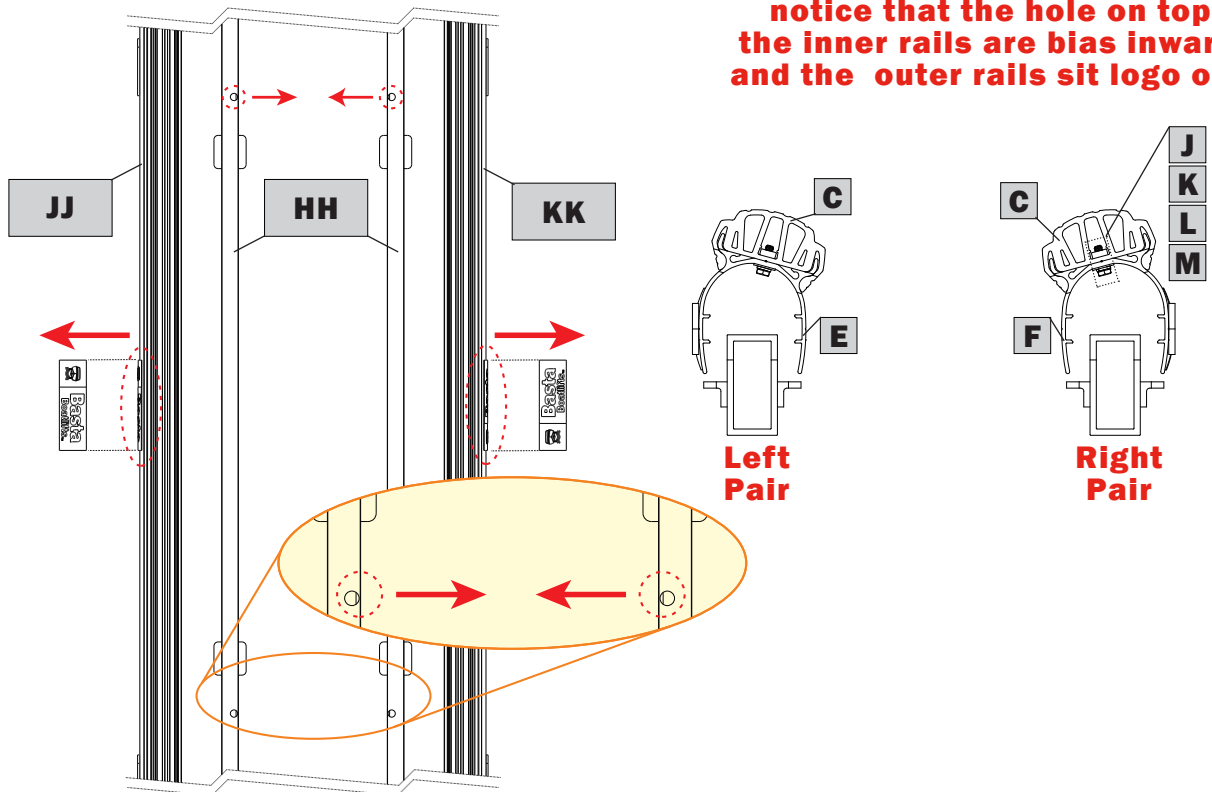
6 Cylinders (Left & Right)

ITEM	DESCRIPTION	QTY.
8	Ring Cotter Pin .091 x 3/4 SS	4
99	Clevis Pin, 3/4 X 3.5	4

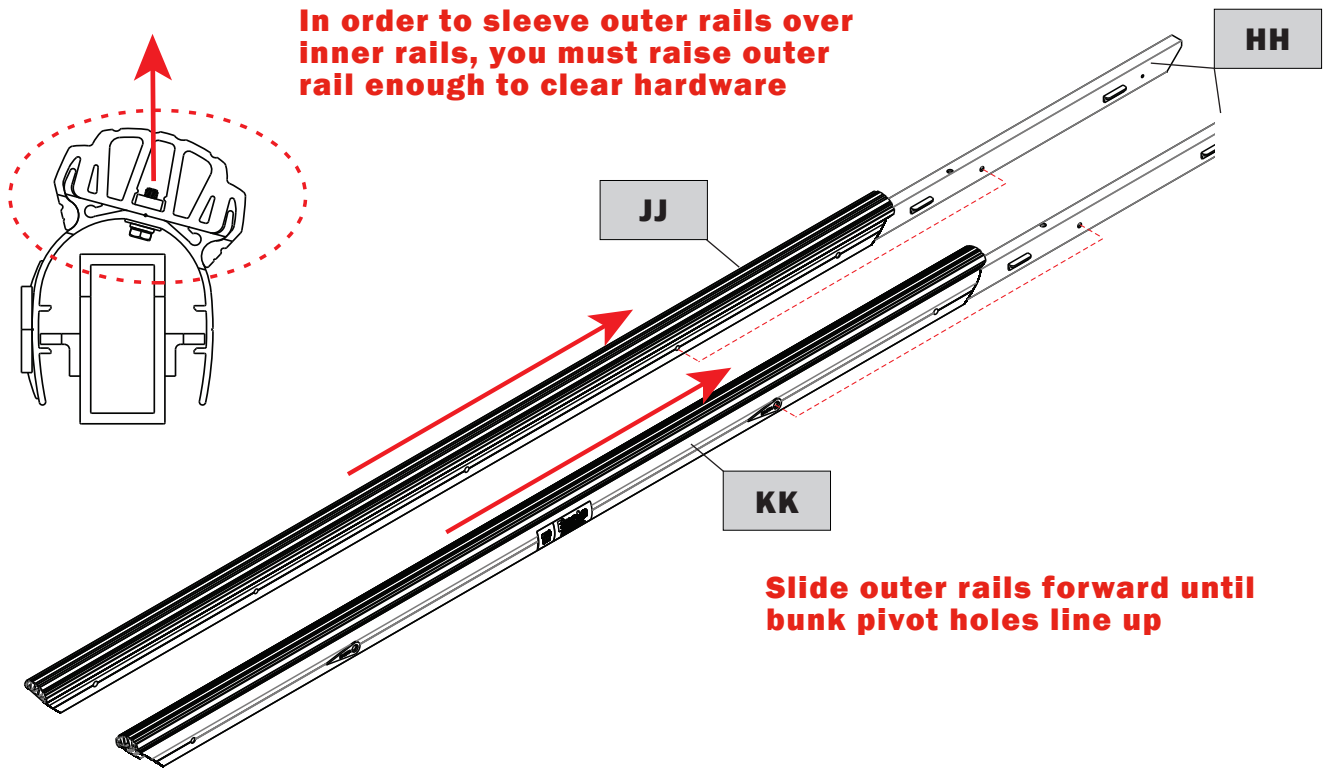


7 Bunk Rail Pairing/Configuration

Lay out bunk rails as shown ; notice that the hole on top of the inner rails are bias inwards and the outer rails sit logo out.

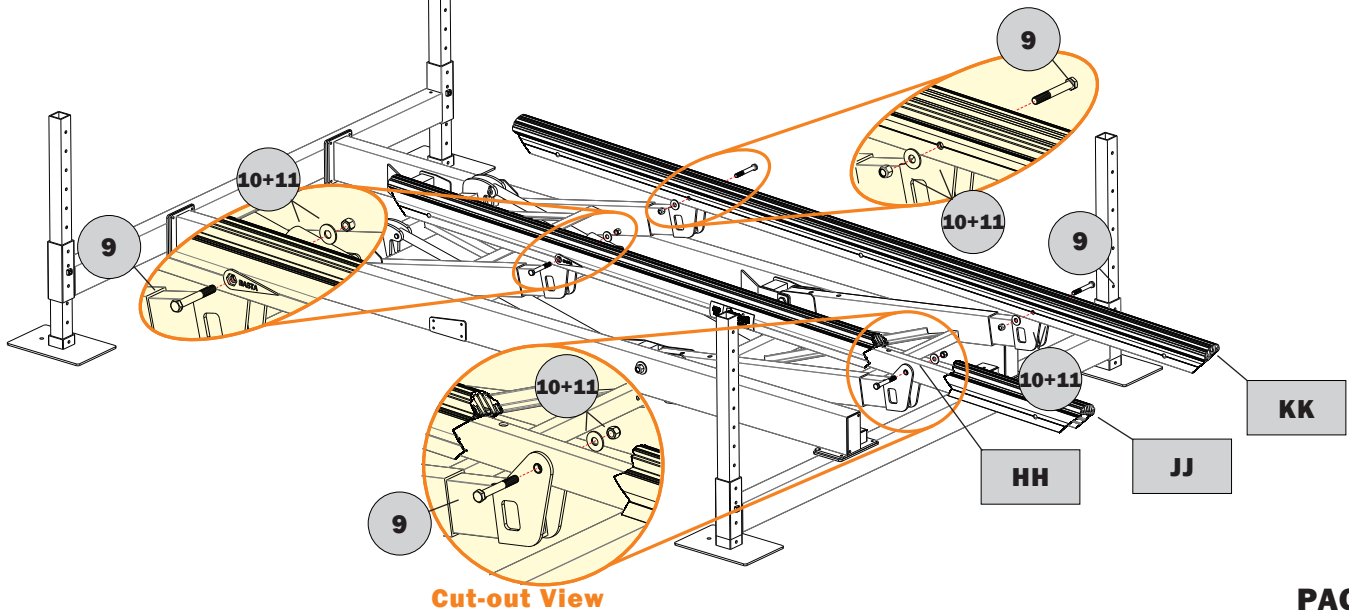


Pictured: Sleeving Outer Rails Over Inner Rails

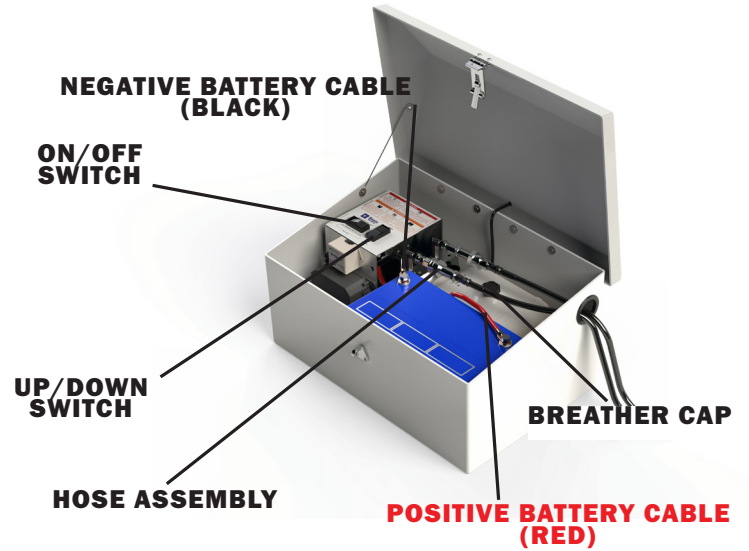
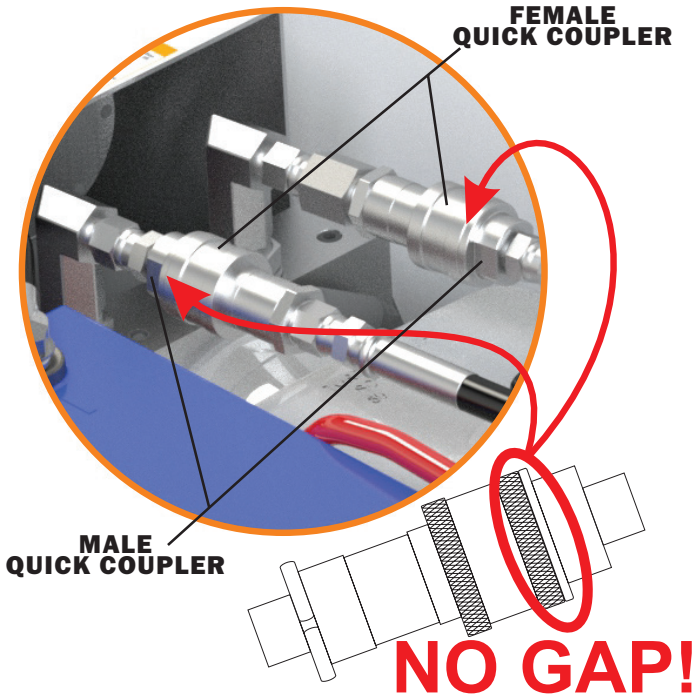


8 Bunk Rails (Inner & Outer)

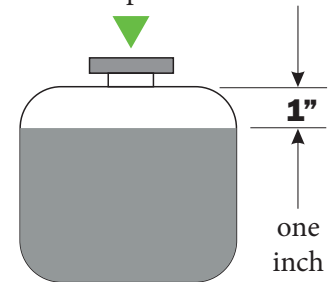
ITEM	DESCRIPTION	QTY.
9	Bolt, Hex Head 3/4-10 x 5.5 SS	4
10	Washer, Flat 3/4 SS	4
11	Nut, 3/4 - 10 Nylock SS	4



9 Complete Power Unit Package



IMPORTANT
 ONLY ADD FLUID WITH LIFT IN DOWN POSITION
 Hydraulic fluid shown with lift in the DOWN position



Step 1: Slide the Hydraulic Hose Assembly through the access hole in the side of the fiberglass enclosure and attach the ends to their corresponding Quick Couplers. Ensure each Quick Coupler is fully seated, tight and with no gap at the connection joint.

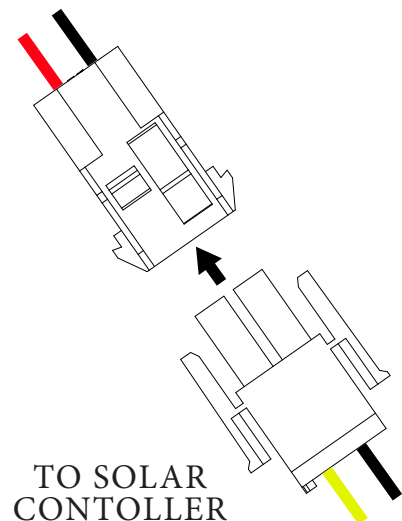
Step 2: Ensure reservoir breather cap installed before first use.

Step 3: Install Battery as shown. Connect the Red Battery Cable to the positive terminal (+) and the Black Battery Cable to the negative terminal (-).

Step 4: Connect yellow/black wire plug from solar controller to solar panel plug.

Step 5: Before moving into the water, test the lift on dry ground using the Up/Down Switch and the Key Fob Transmitters. Inspect the system for leaks.

TO SOLAR PANEL



10

Test lift on dry ground for leaks, remote control function and correct operation before moving into water. Tighten all hardware.

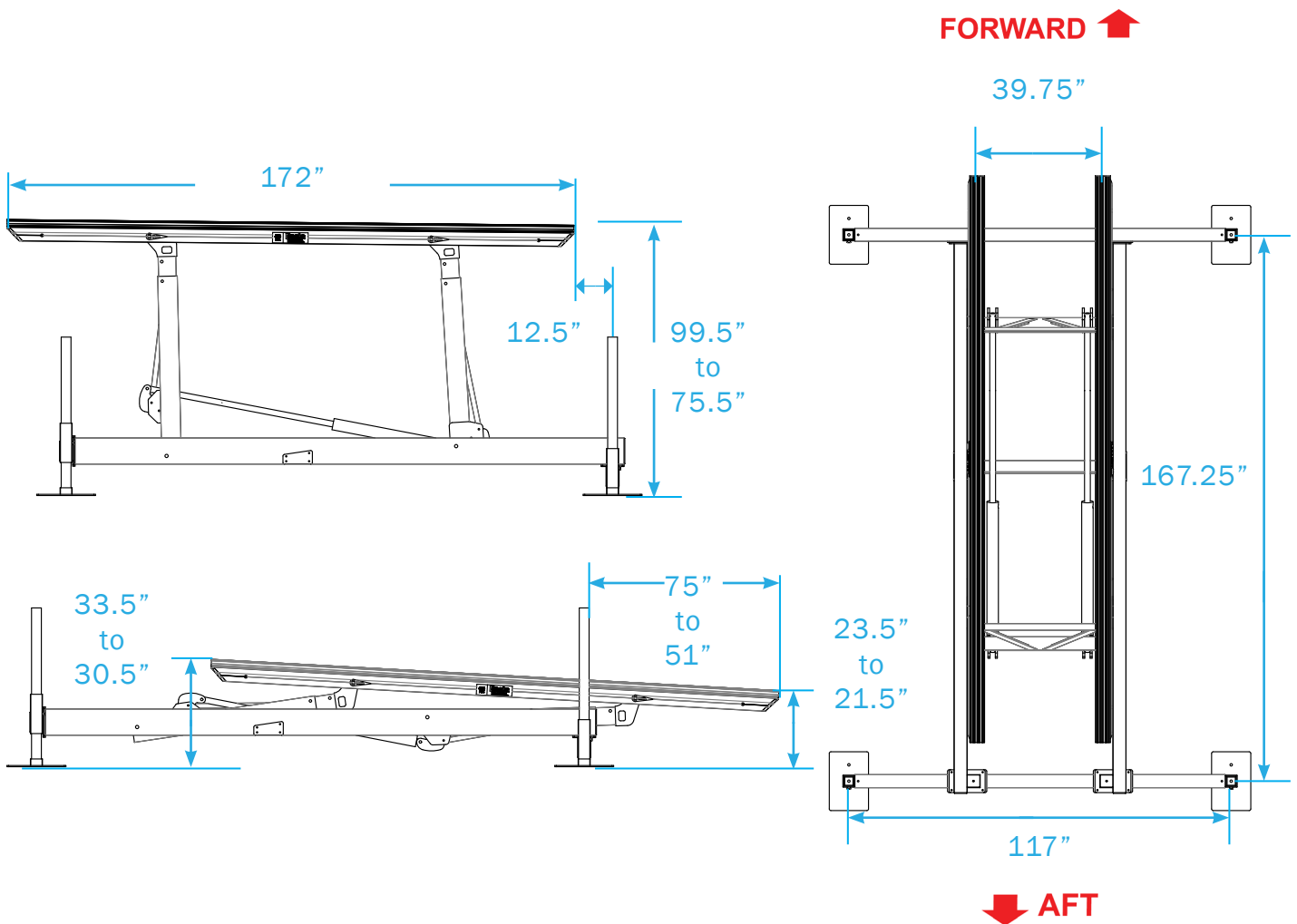
11

Lower the lift completely, then raise it 1 inch. Disconnect the Hydraulic Hose Quick Couplers in the Power Unit box to separate it from the lift.

12

Move the lift to final destination. Use this diagram to help place the lift. Lift placement should be so that the top of the aft end of the bunks are one foot above the highwater mark when the lift is in the full up position, and one foot below the low water mark, when the lift is in the down position.

USE DIAGRAM TO HELP PLACE THE LIFT

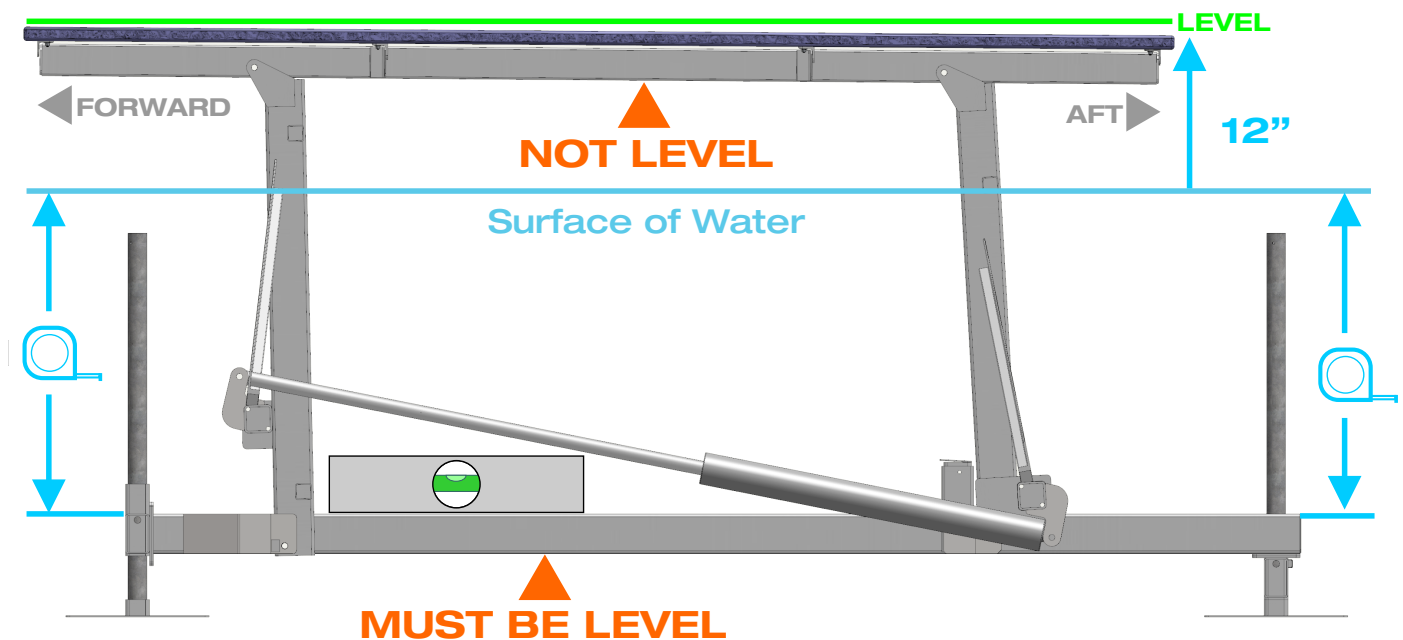


IMPORTANT: The leveling process must be completed to ensure stability of the lift frame and Over-Center safety lock.

13

Level the lift following these instructions while referencing image below:

- Step 1:** Use a tape measure (reference image on right) to determine that the lower frame is level.
- Step 2:** If the lower frame needs to be raised start with the lowest corner first then work your way around the lift in a circle, corner to corner. Adjust the lift legs as needed.
- Step 3:** To make adjustments, first make sure the lift is properly supported. Then, loosen the anti-sway bolts, remove the P-pin and raise or lower the lift crossmember on the leg. Level the lift one corner at a time, while making sure not to have more than 5” of difference in height between the corners to prevent binding.



Leveling requires a second person to support the crossmember while making adjustments. If the lift is too heavy for two people, a ratchet strap or winch system will be required to raise/lower the frame corners.

Contact dealer or Basta at 866-GO-BASTA for additional assistance.

14

Re-connect the Hydraulic Hose Quick Couplers inside the Power Unit box. Fully raise lift and finish adjusting the legs so that the base frame is level side-to-side and forward-to-aft. After the lift is assembled and installed, all fasteners should be checked for proper tightness and reinspected periodically.

15

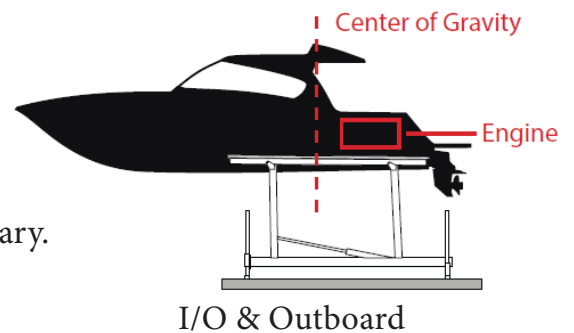
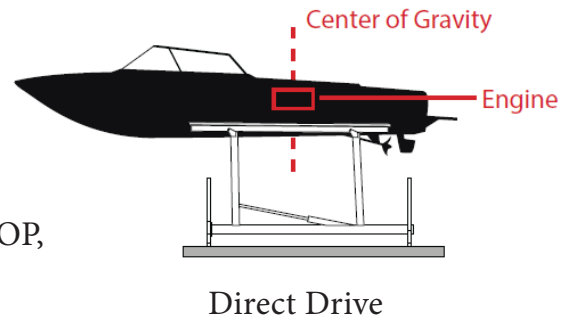
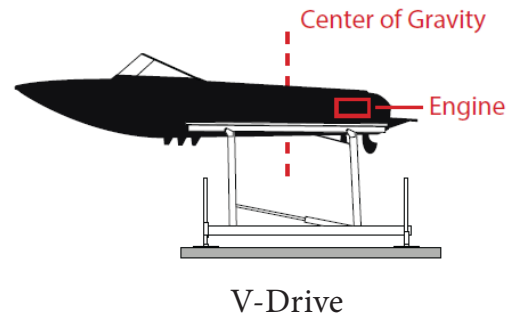
Load the boat onto the lift using the following operational instructions:

1. Align the boat so it is centered between the bunks side-to-side.
2. Move the boat forward to position its center of gravity near the bunks' centers.

16

Perform the following adjustments to finalize the lift installation:

1. Disembark and raise the boat.
If more than two inches of settling occurs, STOP, carefully lower the lift to remove the boat and re-level the lift. Continue repeating this step until the lift can be raised into the full Over-Center™ position without settling.
2. Remove the boat. Verify that the lift frame is level. Re-level the framework if necessary.
3. Check all bolts for proper tightness.



Shown: examples of fore and aft placement of the boat on the boat lift, which varies based on engine location.

OPTIONAL

The lift legs can be cut off above the leg sockets after installation for a cleaner look. First, make sure that the lift has fully settled and has been re-leveled. Install leg caps (96).

NOTE: If you plan to add a canopy or relocate the lift into deeper water, you must keep the existing leg length or purchase new legs in the future.

IMPORTANT:

- If you purchase a new vessel, make sure it does not exceed the weight capacity limits of the lift. Maximum weight capacity can be found on the cover of this manual and on the H frame of the lift.
- Always turn power unit OFF when not in use.
- Keep inside of power unit box dry.
- To prevent unauthorized use lock box using padlock through the latch hasp.
- Securing your mooring line to the dock may provide additional security should the lift be lowered inadvertently.
- Leaving your bilge pump on the automatic setting may prevent the accumulation of rainwater in your vessel and overloading of the lift.
- Service your lift according to recommended Maintenance (page 19).
- Only use Basta Boatlifts approved fluid in lift. Contact Basta Boatlifts or authorized dealer for approved biodegradable hydraulic fluid.
- When not in use, store the lift in the upright position to prevent it from being an unknown hazard underwater.
- Store with the power off.

Loading/Unloading:

Step 1: Power on. Using the manual switch on the control panel, switch the On/Off switch to the “On” position. Wait 5 seconds.

Step 2: Lower the Lift. Using the Key Fob, unlock the Fob by pressing and holding the lock button for 3 seconds before releasing. Next, press the “DN” button to lower the lift.

Step 3: Carefully guide the watercraft onto the lift.

To load, repeat above in reverse order upon return to lift.

For more questions or troubleshooting, consult your Authorized Dealer, the FAQs page on Bastaboatlifts.com, or give us a call at 425-641-8911.

FOB POWER-UP

After turning on the ON/OFF switch in the dock box, the fob receiver requires a 5 second delay before the fob is enabled.

FOB OPERATION

Depress the unlock button (lower right) for 3 seconds, this will allow normal operation of the fob. The lockout is re-enabled after 60 seconds without a button press. Lift operation using the fob is limited to 120 seconds of continuous operation. If a longer cycle is needed it is necessary to release button and then re-depress.

ADDING NEW KEY FOB

1. Turn off the ON/OFF switch.
2. Wait 20 seconds.
3. Turn power back on, and within 5 seconds of power on, press both the UP and DOWN buttons on the fob simultaneously for 1 second then release.
4. Repeat steps 1-3 for additional Fobs. Up to four fobs may be enrolled. If a fifth fob is enrolled, the first enrolled fob will fall off the list.

BATTERY REPLACEMENT

Fob uses CR2032, 3 volt battery, commonly found online or at drug / hardware stores. Part numbers vary by manufacturer.

LOW BATTERY LOCKOUT

The remote control contains a low voltage lockout which is intended to protect the lift's battery from over-discharge. When the battery drops below the low battery threshold during operation, further

use of the fob is not allowed. The manual UP/DOWN switches will allow the lift to operate when sufficient battery power is present. The lift should be checked and charged prior to further operation.

TROUBLESHOOTING

If fob worked previously, but does not currently, replace fob battery or verify fob battery has greater than 3v. If fob does not work after replacement of fob battery, load test lift battery ensuring voltage does not drop below 11v while in use. If you have questions, contact your local dealer or Basta Boatlifts.



UNDERWATER LIGHTS

The underwater lights are activated whenever the lift is operated. The lights stay on for 2 minutes after the lift is operated. The lights may be manually turned on or off by depressing the lower left button on the remote fob. When manually enabled the lights will automatically turn off after 4 minutes. This is designed to prevent accidental battery discharge.

Q: THE BATTERY WILL NOT HOLD A CHARGE

- A: Ensure the solar panel is properly connected.
- A: Re-align the solar panel for proper exposure to the sun.
- A: Recharge the battery with an AGM battery trickle charger and check the charge again.
- A: Have the battery tested. It may be old and require replacement.
- A: If the lift is being used frequently during the day, it may be necessary to use a 110-volt maintainer/charger.

NOTE: IF A BATTERY CHARGER WILL BE USED FOR AN EXTENDED PERIOD OF TIME, OR PERMANENTLY, DISCONNECT THE SOLAR PANEL FROM THE SOLAR CONTROLLER

Q: THE REMOTE CONTROL IS NOT FUNCTIONING

- A: The battery in the key fob transmitter may be low. Replace it with a new lithium CR2032. These are widely available at variety, hardware and even grocery stores. Polarity is marked on the battery holder.
- A: Verify that the power unit battery is charged and connections are tight.
- A: Reprogram the remote key fobs.

Q: THE PUMP DOESN'T RUN

- A: Check the battery charge and recharge if necessary.
- A: Check the battery connections, clean and re-secure if necessary.

Q: THE PUMP RUNS, BUT THE LIFT DOESN'T MOVE

- A: Check the 'Quick Couplers' in the Power Unit. If they are not screwed together tight enough, built-in check valves will not allow fluid to flow. See Page 12.
- A: Check the fluid level. See Page 19.

Q: DOES THE LIFT HAVE TO GO ALL THE WAY UP?

- A: YES - in order for your lift to function as intended the lift must ALWAYS be stored in the full upright position when the watercraft is unattended.

Q: IS MY VESSEL SECURE?

- A: Yes, once you verify that the lift is Over-Center™, switch off the power and lock the power unit box, there is less chance of theft.

Q: DO I NEED A MOORING LINE?

- A: Under most circumstances one mooring line is sufficient to prevent the watercraft from drifting away if the lift is inadvertently lowered or the water level rises.

Q: HOW MUCH SUN DOES THE SOLAR PANEL NEED?

- A: The panel should receive constant sun for at least 6-8 hours a day.

Q: HOW DO I KNOW WHEN IT IS TIME TO CHANGE THE FLUID?

- A: Basta Boatlifts' hydraulic fluid lasts between 3-6 years depending on usage. If you begin to hear an increased pitch in the sound of your pump motor, it is likely time to flush your hydraulic fluid. You can also tell by the clarity of the fluid. Fluid that is ready to be changed will be dark in color or cloudy. New fluid is clear.

Q: HOW DO I CHANGE THE HYDRAULIC FLUID?

- A: Visit our website www.gobasta.com/support for detailed instructions.

Q: WHAT IF I GET A NEW VESSEL?

- A: Re-leveling the lift may be necessary.
- A: Verify that the new vessel does not exceed the capacity of the lift.

A new lift will be required if the watercraft exceeds the weight capacity of your current lift.

**For more answers to frequently asked questions, visit:
<https://bastaboatlifts.com/basta-faqs/>**

**FOR ASSISTANCE OR SERVICE:
Contact your local dealer or call
1-866-Go-Basta
or email: service@gobasta.com**

BATTERY

Always use AGM batteries and follow battery manufacturer's warnings and instructions. Improper use, or use of other batteries, have the potential to produce flammable hydrogen gas which can result in serious injury or death. If you have limited solar exposure when the lift is not in use (typically winter), consider moving battery to a temperate environment (garage) and leave on battery maintainer.

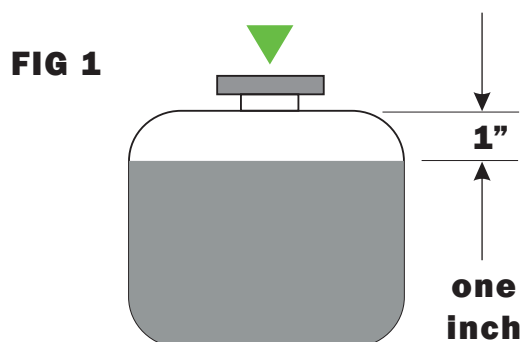
Always disconnect solar panel plug prior to when battery is disconnected from solar controller.

SOLAR PANEL

Every Month (more as needed) Wipe the solar panel with a clean, damp cloth to maintain its charging performance.

**IMPORTANT
ONLY ADD FLUID WITH LIFT
IN DOWN POSITION**

**Hydraulic fluid shown with
lift in the DOWN position**



EVERY 6 MONTHS, WE RECOMMEND:

- Inspect hoses, cylinders and fittings for leaks and wear
- Check wire terminals for snugness and corrosion
- Check hydraulic fluid level and clarity as shown in **FIG 1**. The hydraulic fluid level should be about one inch below the top of the reservoir with the lift completely down. **DO NOT** add fluid with the lift in the raised position! Use only Basta Boatlifts approved fluid. The lift power system does not consume fluid, so if the fluid is low, a leak was/is present.

EVERY 3-5 YEARS, DEPENDING ON USAGE:

Flush hydraulic fluid. Visit the Basta Boatlifts service page for detailed instructions on how to perform a fluid flush. <https://bastaboatlifts.com/support/>.

Annual factory approved service is available. Contact your local dealer or Basta Boatlifts for additional information.

If an anode package is installed, check and replace as needed. Anodes must be replaced before they are completely consumed otherwise significant damage may result.

